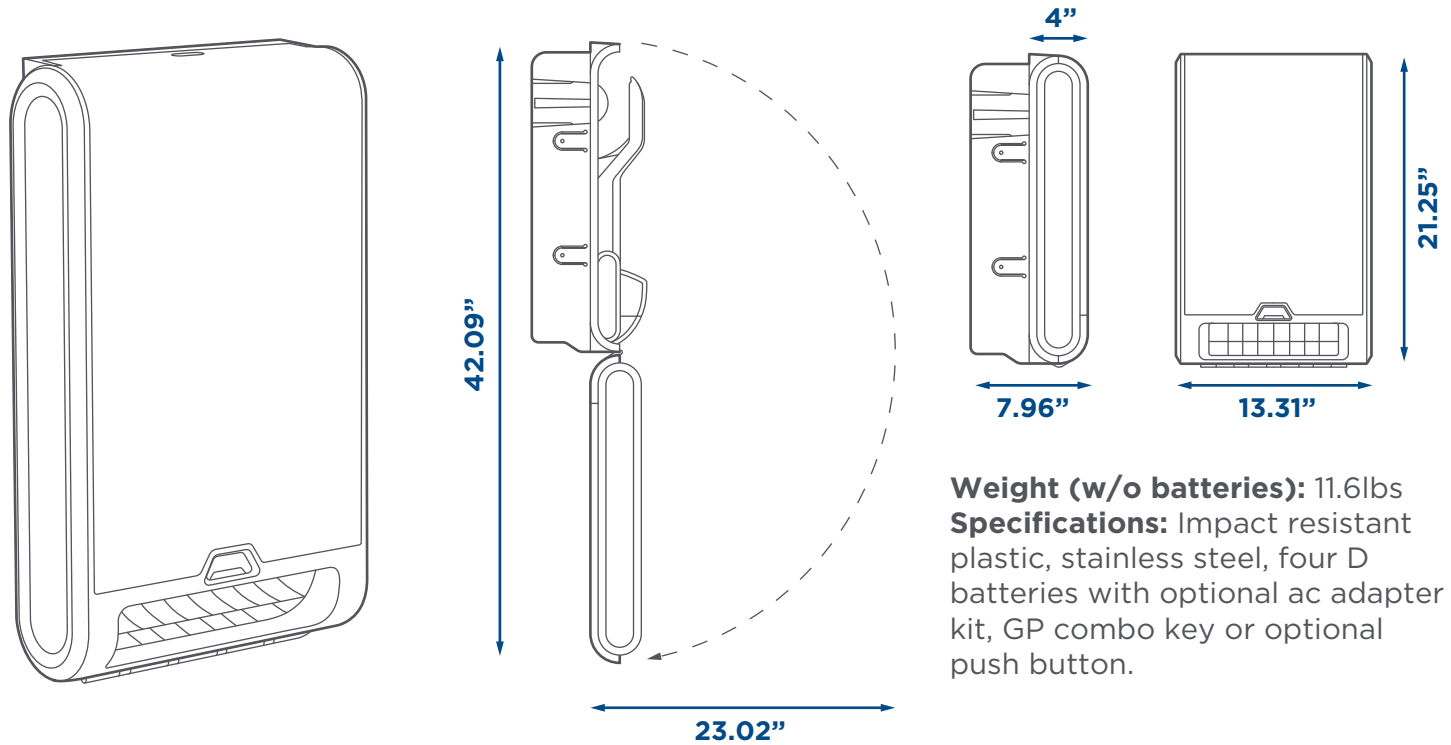
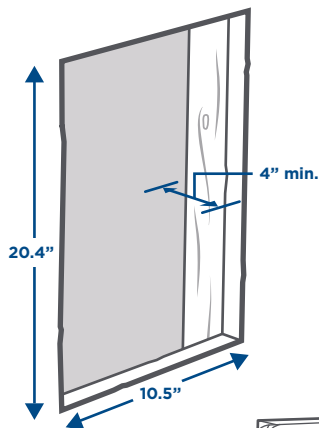


Specification Sheet: 59766

enMotion® Flex Recessed Automated Touchless Roll Towel Dispenser



Weight (w/o batteries): 11.6lbs
Specifications: Impact resistant plastic, stainless steel, four D batteries with optional ac adapter kit, GP combo key or optional push button.



Mounting: A hole 20.4" x 10.5" must be cut into your wall to accommodate this dispenser. Before cutting your hole be sure to consider stud location inside the wall so that the dispenser can be inserted without obstruction.

Next, insert the dispenser into the hole and affix the dispenser into position by using four screws (not included) to mount the dispenser to the wall studs to the left and right of the dispenser.

Mounting should comply with ADA guidelines. Compliance is the responsibility of the installer.

