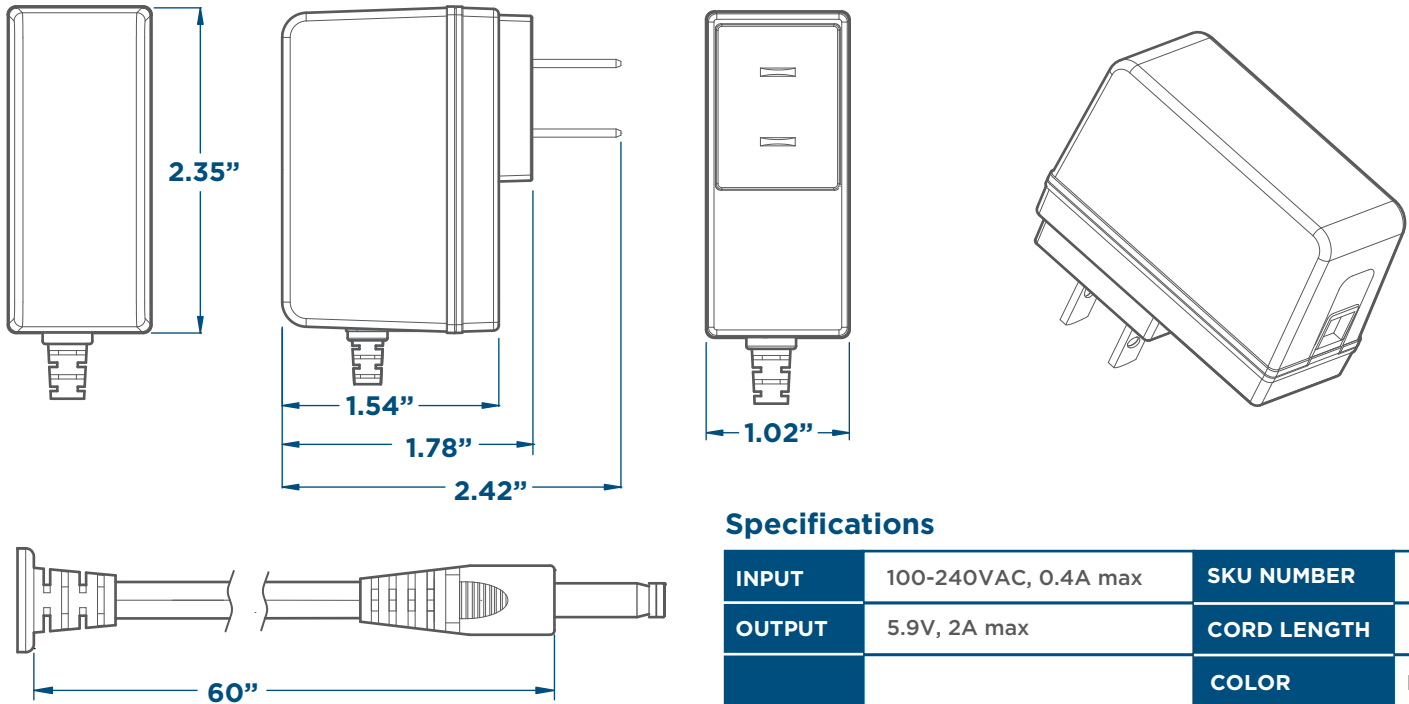




SPECIFICATION SHEET: 50476

AC Adapter for enMotion® Automated Touchless Counter Mount Soap Dispenser



Specifications

INPUT	100-240VAC, 0.4A max	SKU NUMBER	50476
OUTPUT	5.9V, 2A max	CORD LENGTH	60"
		COLOR	Black

FAQ

Q: Is there an option to attach multiple dispensers to a single AC adapter or string multiple dispensers together?

A: No. Each dispenser needs its own AC adapter.

Q: What if I don't have enough spare AC outlets under my countertop for the number of soap dispensers I need or they are too far away?

A: Check with your electrician to find out if the local Building Code allows the use of outlet extenders (a plug that changes a duplex outlet into 4 or more outlets), plug-in outlet strips that can be mounted to the wall or countertop, and/or extension cords.

Q: How many AC adapters can I plug into my wall outlets?

A: A duplex outlet (two outlets) can fit two adapters and a quad outlet (also called a 2-gang duplex outlet) can fit four adapters since the non-polarized 2-prong AC adapters can be oriented away from each other. However, if your outlet has more than four outlets in one place, the ones in the middle may not be usable if there is not enough space between outlets.

Q: Can I plug the soap dispenser into the same adapter box that my faucets use?

A: No. Faucets typically use a 24VAC adapter, whereas the soap dispensers use 6VDC. We do not offer a 24VAC to 6VDC adapter at this time.

Q: What if I don't have AC outlets under my countertop and I still want to use an AC adapter for my soap dispenser?

A: Check with your electrician to install outlets under your countertop, or use the battery pack that comes with the dispenser.

Q: Can I get a price break if I just want an AC adapter and no battery pack?

A: No. Each dispenser will come with a battery pack and batteries as standard equipment, regardless of whether AC adapter accessories are also ordered.