

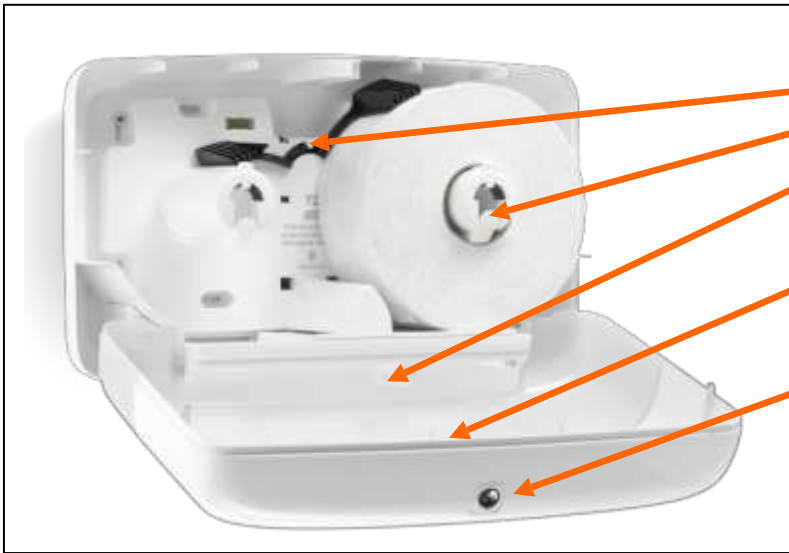


5555200 TORK® ELEVATION® TWIN MINI JUMBO TISSUE DISPENSER, WHITE



5555290 TORK® ELEVATION® TWIN MINI JUMBO TISSUE DISPENSER, BLACK

Dispenser Part List



PART DESCRIPTION	PART NUMBER
Left/Right roll arm	Not replaceable
Spindle	Not replaceable
Paper access door	Not replaceable
Hood (White)	225560
Hood (Black) (does not include new lock)	225570
200260 Metal Tork Key	200260KEY
Tork Elevation Lock (White)	205502
Tork Elevation Lock (Black)	205503

Part Description with Replacement Instructions

Parts with “Spare Part Number” are available for order as of the revision date on the manual. Contact your Essity Sales Representative or Essity Customer Service Representative to order these parts.

Replacing the Elevation Lock: 205502 (White); 205503 (Black)



1

2

3

4

1. Use a small slot-head screwdriver to press the snap fit towards the lock housing. Push the lock downwards at the same time.
2. Repeat the procedure on the other side of the lock.
3. Remove the old lock by pulling it through the hole in the cover.
4. Insert the new lock. Push until a click sound is heard.

Replacing the Hood (2255560 White; 2255570 Black)



1. Using a Phillips head screwdriver, remove the two screws holding the door to the dispenser housing.
2. Follow steps above to remove Elevation lock from cover.
3. Follow steps above to insert Elevation lock into replacement cover.
4. Fit cover on dispenser housing, replace and tighten screws with Phillips head screwdriver to secure cover.

Troubleshooting

Problem: Any paper-related problem

- ✓ Take note of the date code on the outside of the case of refill product. Contact your Essity Customer Service Representative for complaint resolution.

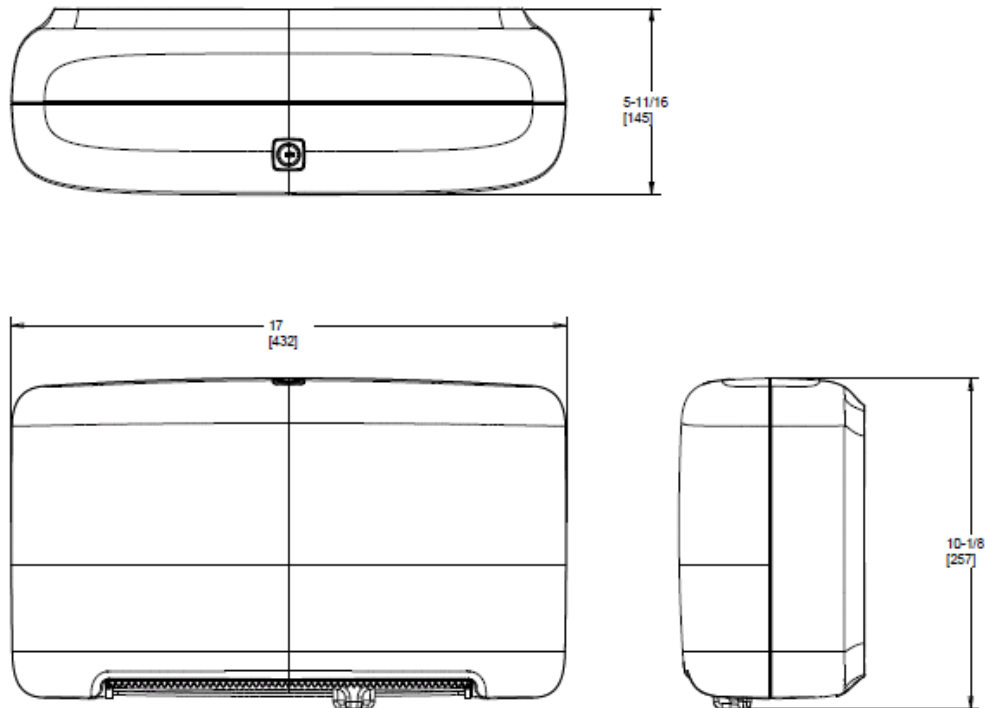
Problem: Any dispenser-related problem

- ✓ Locate the Tork label inside the dispenser. Note the Model Number and the date code. Contact your Essity Customer Service Representative for complaint resolution.

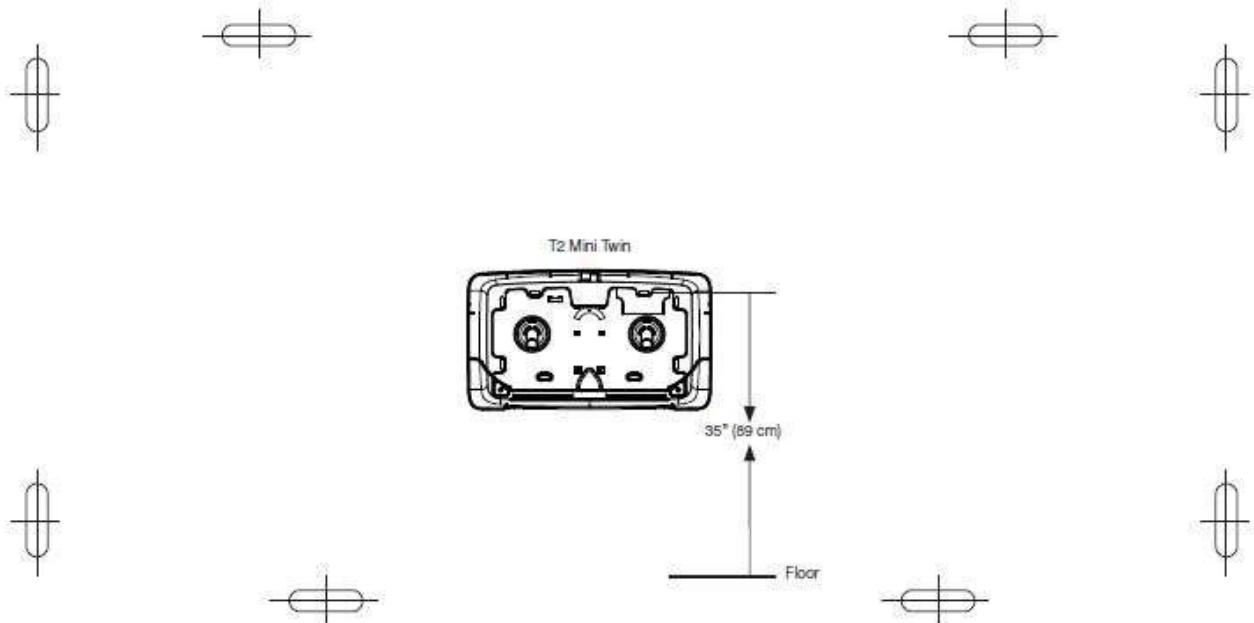
This is a TorkSelect product. The TorkSelect label is affixed to the inside, right side of the dispenser. The system identifier (to match product refills) and the dispenser item number are printed on the bottom of this label. Essity only guarantees dispenser performance if used with genuine Tork refills.



Mounting Instructions



Recommended mounting height for standard access is 35" above finished floor to upper drilling hole location. Mount dispenser securely using four attachment points - two upper and two lower. Full size drilling hole template is located inside dispenser carton.



Mounting Instructions – ADAAG Guidelines

604.7 Dispensers. Toilet paper dispensers shall comply with 309.4 and shall be 7 inches (180 mm) minimum and 9 inches (230 mm) maximum in front of the water closet measured to the centerline of the dispenser. The outlet of the dispenser shall be 15 inches (380 mm) minimum and 48 inches (1220 mm) maximum above the finish floor and shall not be located behind grab bars. Dispensers shall not be of a type that controls delivery or that does not allow continuous paper flow.

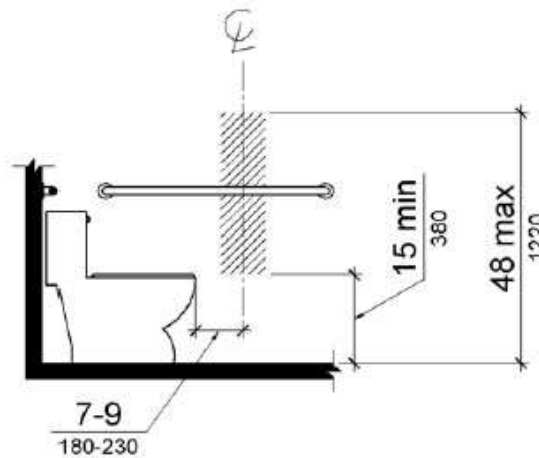


Figure 604.7 Dispenser Outlet Location

Advisory 604.7 Dispensers. If toilet paper dispensers are installed above the side wall grab bar, the outlet of the toilet paper dispenser must be 48 inches (1220 mm) maximum above the finish floor and the top of the gripping surface of the grab bar must be 33 inches (840 mm) minimum and 36 inches (915 mm) maximum above the finish floor.

609.3 Spacing. The space between the wall and the grab bar shall be 1 1/2 inches (38 mm). The space between the grab bar and projecting objects below and at the ends shall be 1 1/2 inches (38 mm) minimum. The space between the grab bar and projecting objects above shall be 12 inches (305 mm) minimum.

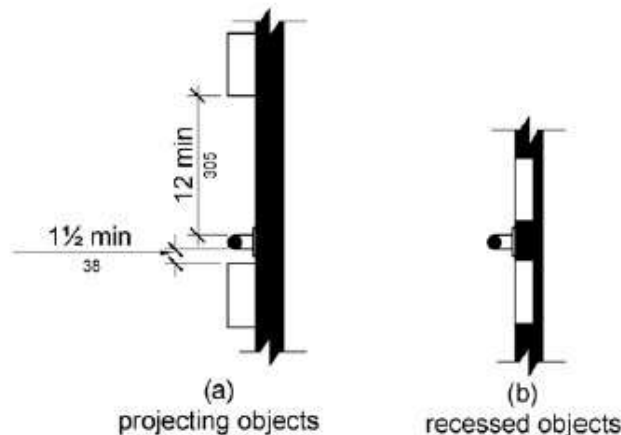


Figure 609.3 Spacing of Grab Bars

609.4 Position of Grab Bars. Grab bars shall be installed in a horizontal position, 33 inches (840 mm) minimum and 36 inches (915 mm) maximum above the finish floor measured to the top of the gripping surface, except that at water closets for *children's use* complying with 604.9, grab bars shall be installed in a horizontal position 18 inches (455 mm) minimum and 27 inches (685 mm) maximum above the finish floor measured to the top of the gripping surface.

604.9.6 Dispensers. Toilet paper dispensers shall comply with 309.4 and shall be 7 inches (180 mm) minimum and 9 inches (230 mm) maximum in front of the water closet measured to the centerline of the dispenser. The outlet of the dispenser shall be 14 inches (355 mm) minimum and 19 inches (485 mm) maximum above the finish floor. There shall be a clearance of 1 1/2 inches (38 mm) minimum below the grab bar. Dispensers shall not be of a type that controls delivery or that does not allow continuous paper flow.



5555200 and 5555290 meet ADA technical requirements for operation and pull force

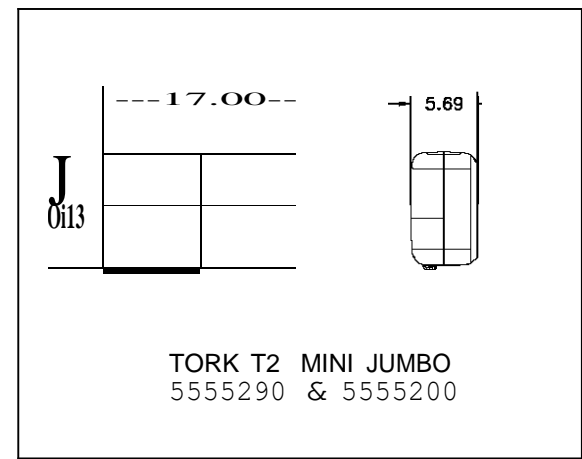
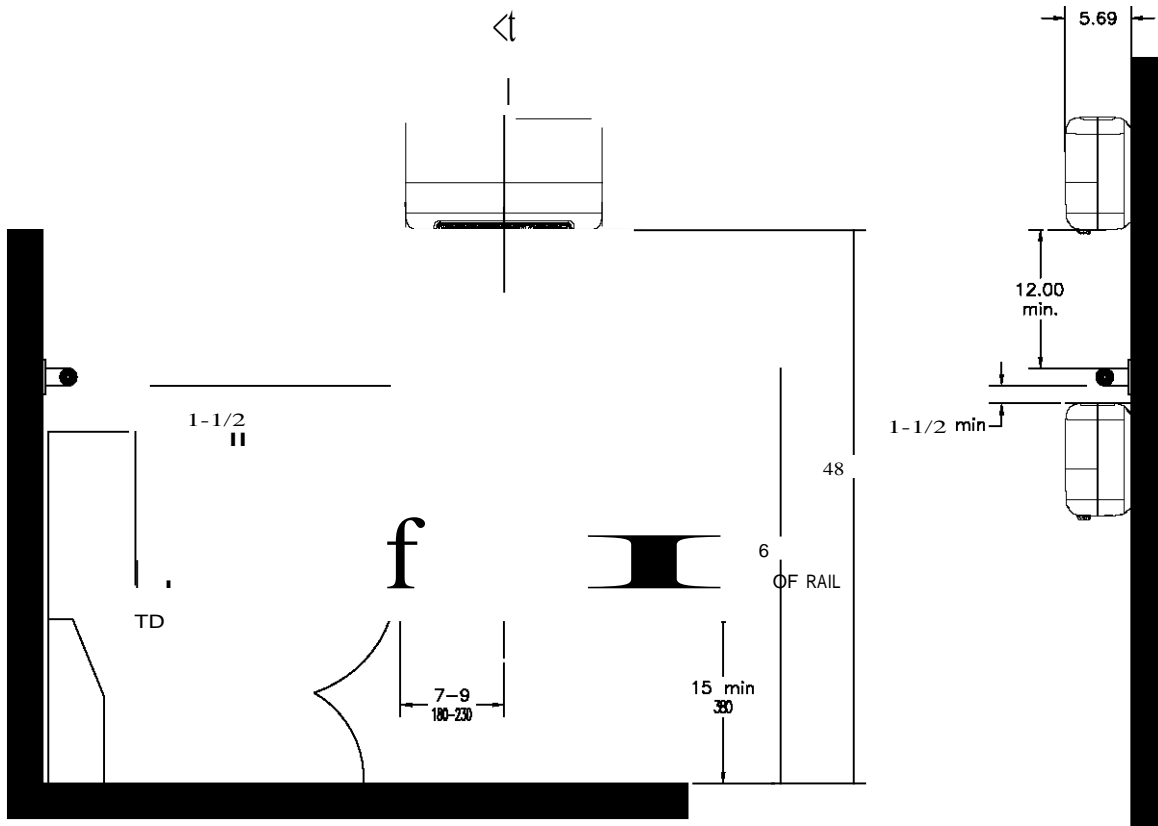
Compliance with ADA mounting guidelines is the responsibility of the installer and building owner. Local and state requirements may differ from ADAAG guidelines.

Additional Technical Data Sheets:

Tork Elevation T2 Mini ADA Mounting Height

Tork® Elevation® Twin Mini Jumbo Bath Tissue Roll Dispenser – Mounting and Filling Instructions

5555290 Specification Sheet



THIS DRAINAGE IS FURNISHED IN COMPLIANCE WITH THE PRESS UNDERSTANDING THAT NEITHER IT NOR ANY REPRODUCTION THEREOF WILL BE DISCLOSED TO OTHERS OR USED FOR THE PURPOSE OF MANUFACTURE OR PRODUCTION OF THE ARTICLE OR PART SHOWN HEREDU.

SCA Tissue "orth AMericaQ LLC
 SCA 1451 McMahon Driv, Nesh. WI 54957-2400, (920) 45-7030

TITLE
 TDRk ELEVA T¹m" T2 MHH ADA MTG HEIGHT

CHECKED BY: EJJ. WPR: MFG. APPR.

SCALE DO JOT DATE H/H/H PART NUMBER

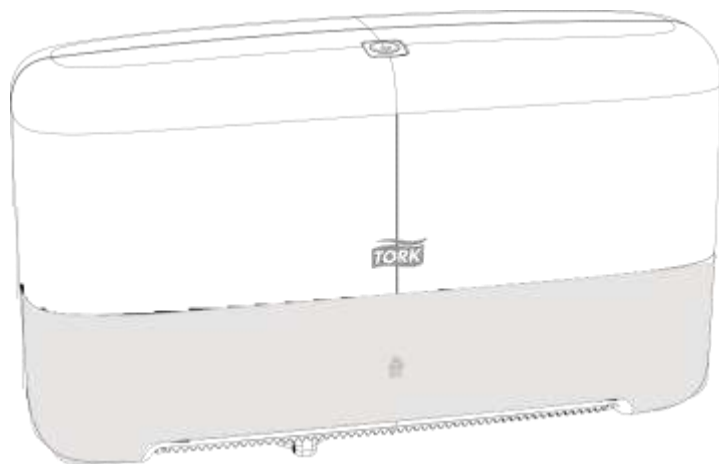
DRYU UNITS SHEET SIZE
 SEV IN 1 OF 1

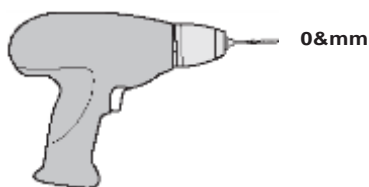
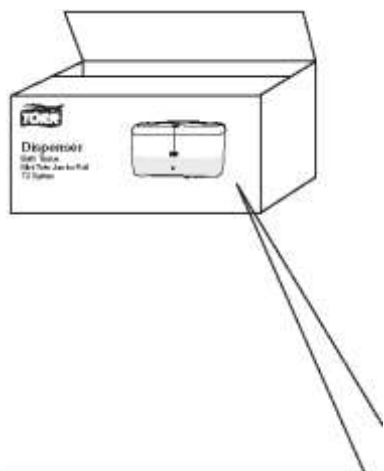
Dispenser

Bath Tissue

Mini Twin Jumbo Roll

T2 System





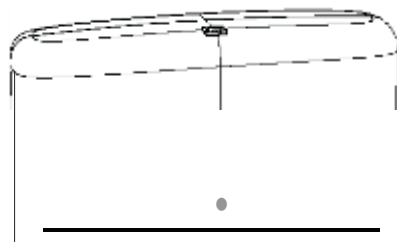
1J x1



x4



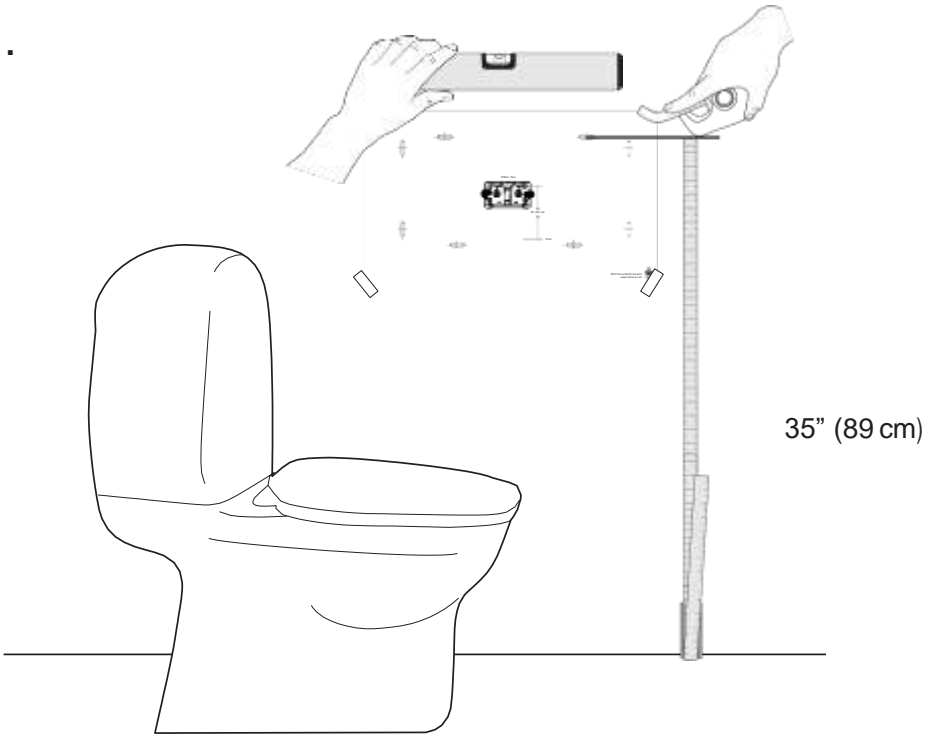
x4



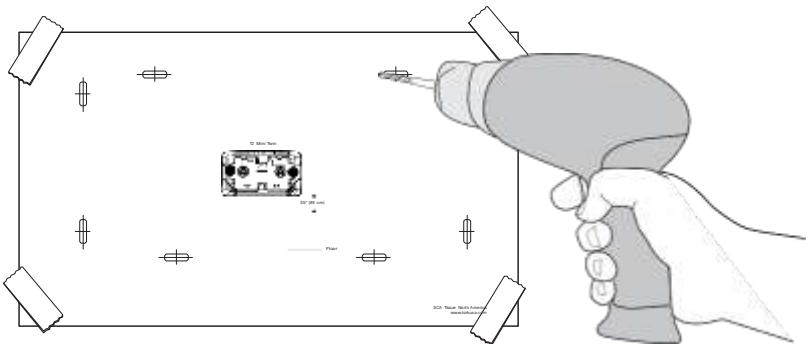
t
t j_ t
.....>

Installation Instructions

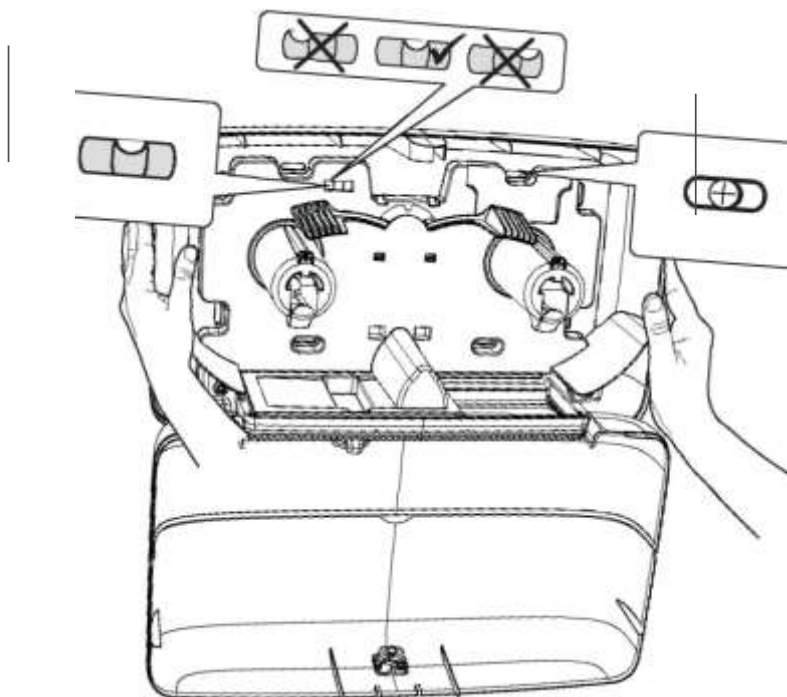
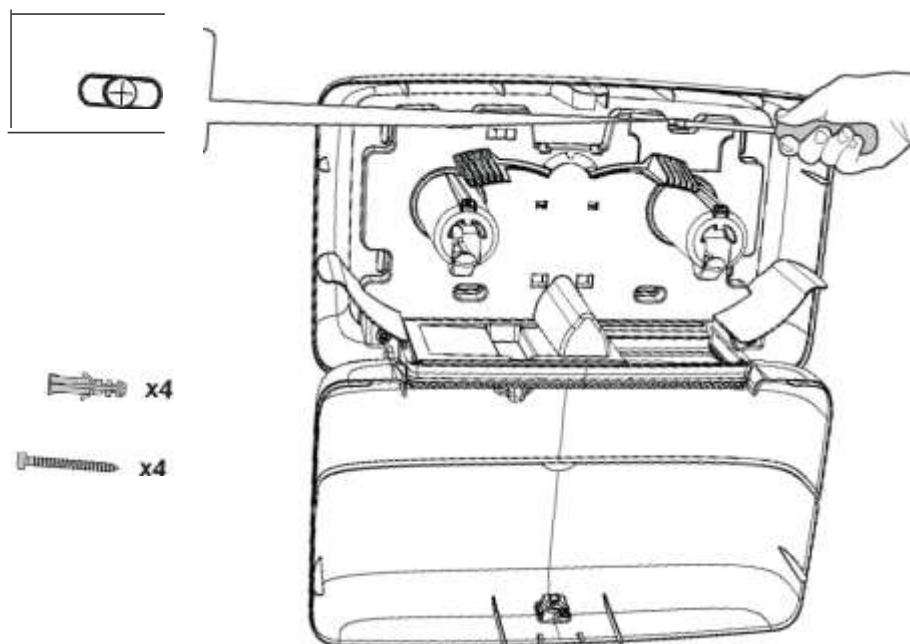
1.



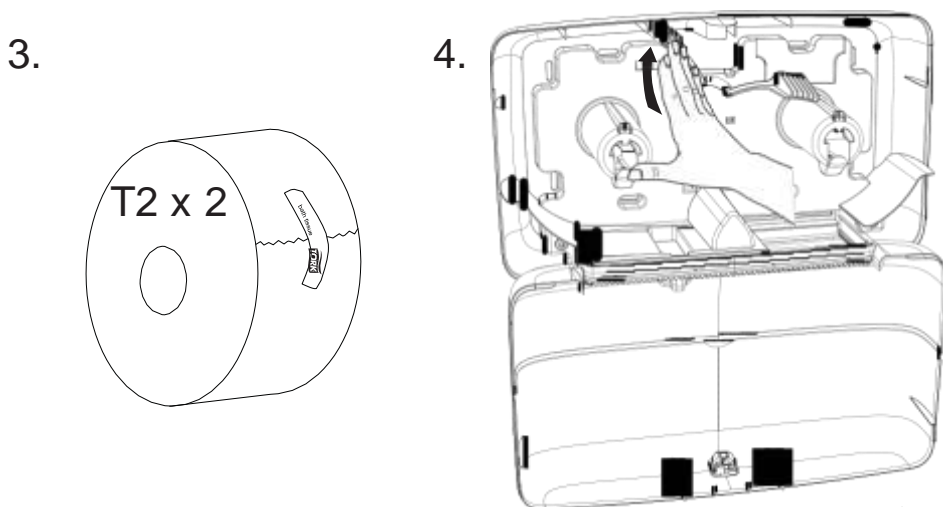
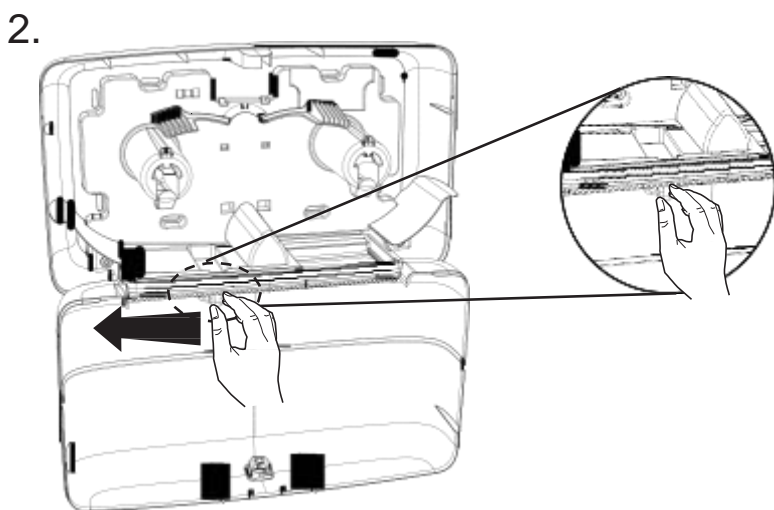
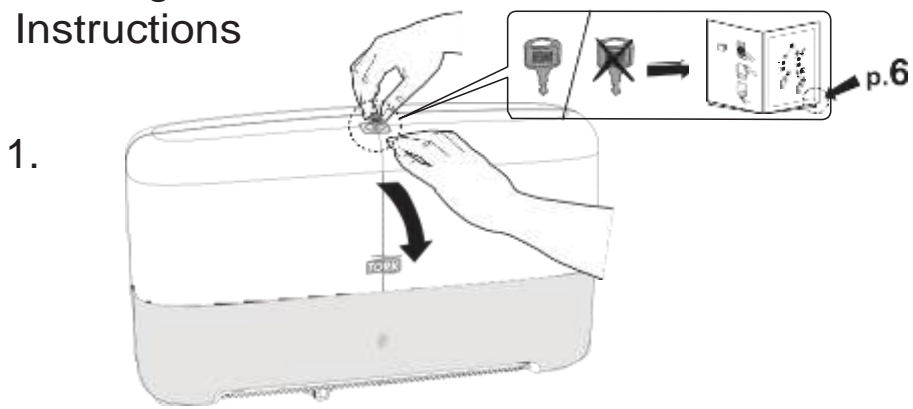
2.

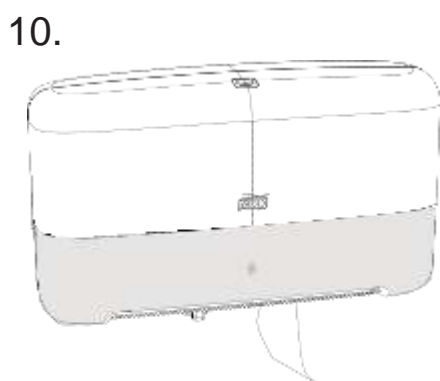
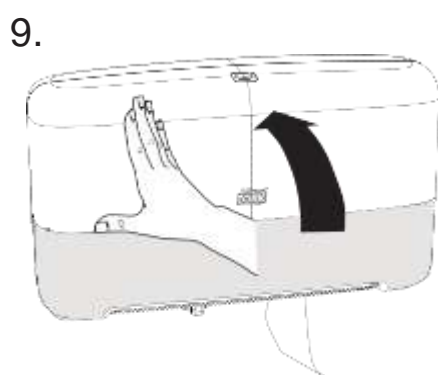
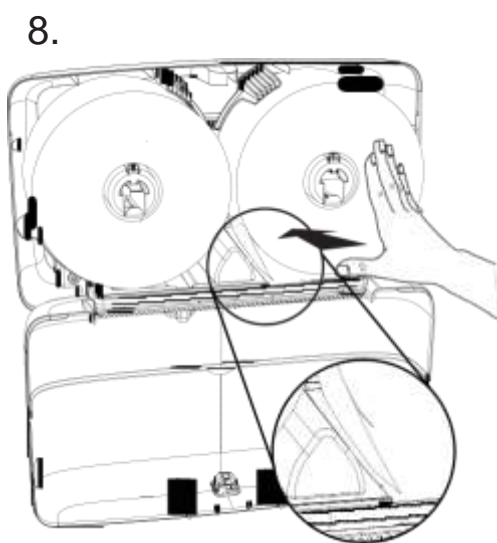
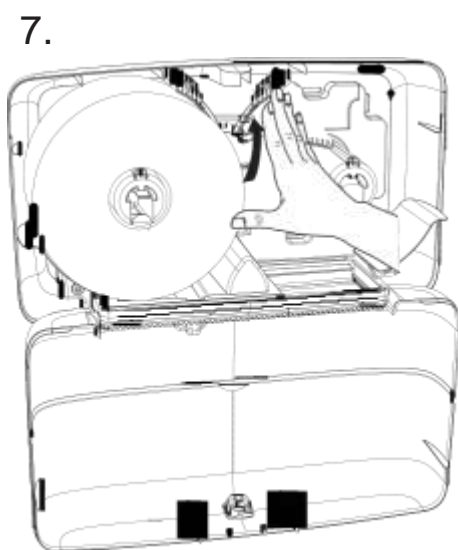
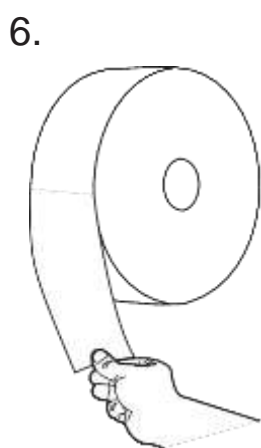
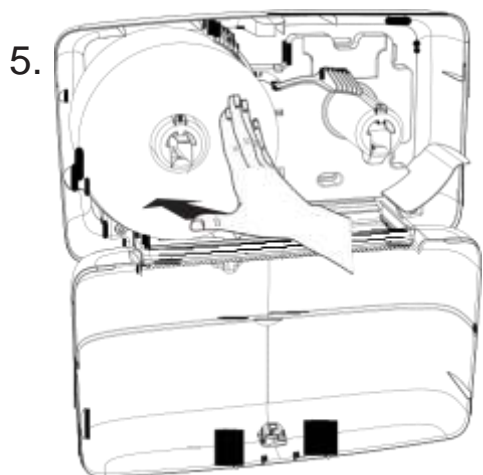


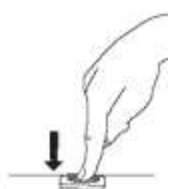
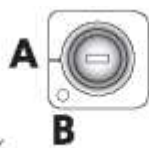
3.



Loading Instructions



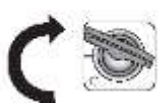




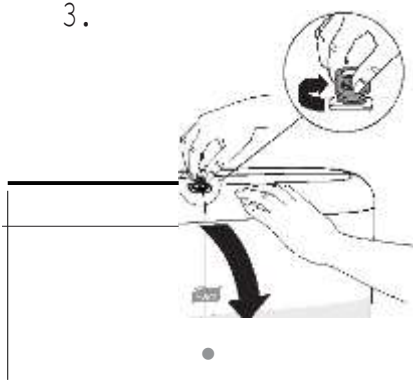
1.



2.



3.



1.

2.,

3.

„ , t?

4.

