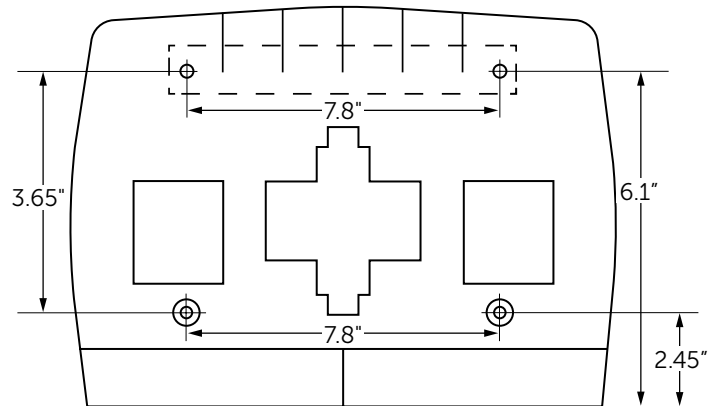
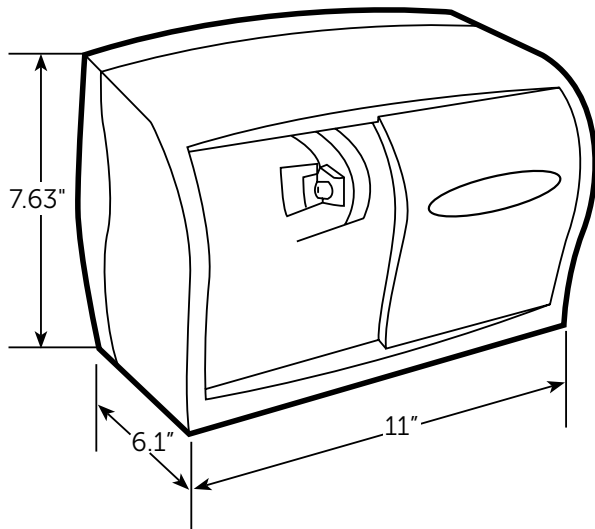


# Scott® Essential Coreless Standard Roll Bath Tissue Dispenser



- Made of ABS plastic
- Choice of white with clear window or black with translucent window
- Sliding front cover
- Holds two coreless standard bath tissue rolls
- One-handed loading
- No movable parts or lock for easy maintenance access
- Hardware included for mounting
- One per case

Product Code:

**09604**  
Black

**09605**  
White

Suggested mounting height for the outlet of the dispenser is 15" minimum and 48" maximum above the floor. In the presence of a grab bar rail, mount dispenser so that the outlet is no greater than 12" above the bar, or so that the top of the dispenser is no less than 1.5" below the bar.

When installed properly and used with corresponding product, this dispenser meets ADA Standard 28 CFR Part 36, local rules may vary.