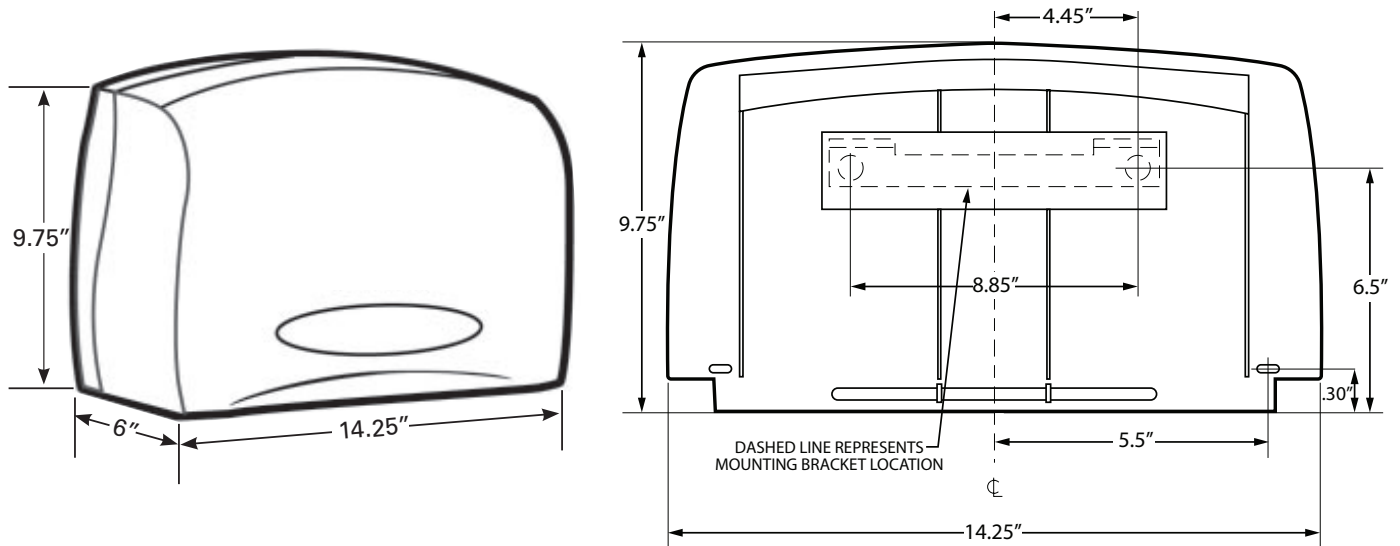


# Scott® Essential Coreless Jumbo Roll Tissue Dispenser



- Made of ABS plastic with smoked translucent sides and an opaque black back
- Designed to dispense a coreless jumbo roll tissue roll, plus stub roll
- Holds more than the equivalent, in length, of six standard rolls of bath tissue
- Minimizes run-out, waste, and maintenance time
- No door, no key, no core to throw away
- Tear-off bars on both sides of dispenser opening
- Hardware included for mounting
- One per case

Product Code:

**09603**

White

**09602**

Black

Suggested mounting height for the outlet of the dispenser is 15" minimum and 48" maximum above the floor. Distance from the midline of the dispenser to the front of the toilet is 7-9". In the presence of a grab bar rail, mount dispenser so that the outlet is no greater than 12" above the bar, or so that the top of the dispenser is no less than 1.5" below the bar.

When installed properly and used with corresponding product, this dispenser meets ADA Standard 28 CFR Part 36, local rules may vary.