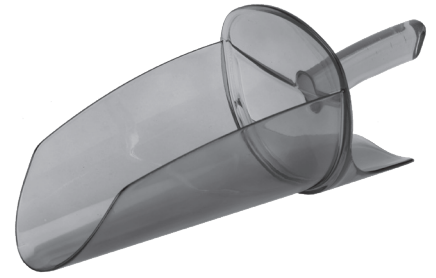


# TECHNICAL DATA SHEET

## 64-86oz Saf-T-Scoop® for Ice Machines



### Product Code: SI9500

64-86 ounce (1.9-2.5L) Saf-T-Scoop® provides a faster, safer, and easier way to fill ice totes.

- Dual Germ-Guards™ prevent thumb and knuckle contact and protect ice from hand contamination.
- Scoop's angled chute directs ice into ice tote, reducing the risk of dangerous slips from melted ice near machine.
- Ergonomic design for faster and efficient use, with higher capacity.
- Durable, break resistant Polycarbonate that is dishwasher safe.

#### Includes:

Scoop only

#### Dimensions:

14.9" (L) x 6.75" (D)

378.5mm (L) x 171.5mm (D)

#### Capacity:

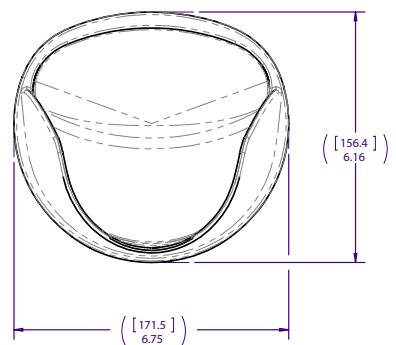
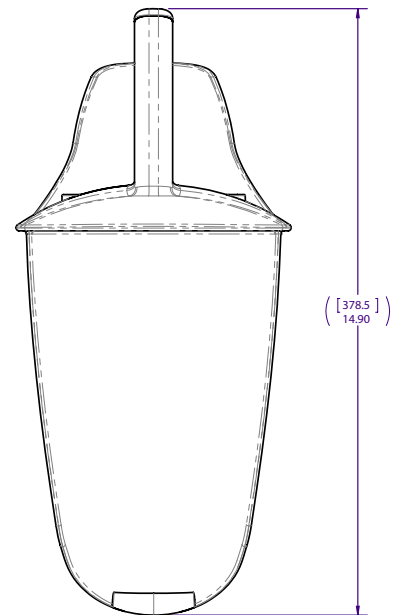
64-86 ounces of ice

#### Product Weight:

1.92lbs / .87kg

#### Materials:

Polycarbonate



# TECHNICAL DATA SHEET

## 64-86oz Saf-T-Ice Scoop® and Guardian™ System for Ice Machines



### Product Code: SI9000

64-86 ounce (1.9-2.5L) Saf-T-Scoop® and Guardian™ system provides a faster, safer, and easier way to fill ice totes and store scoop.

- Dual Germ-Guards™ prevent thumb and knuckle contact and protect ice from hand contamination.
- Scoop's angled chute directs ice into ice tote, reducing the risk of dangerous slips from melted ice near machine.
- Ergonomic design for faster and efficient use, with higher capacity.
- Guardian™ provides safe, dedicated scoop storage.
- Flexible mounting options.
- Durable, break resistant Polycarbonate that is dishwasher safe.

#### Includes:

Both scoop and guardian

#### Installation:

Wire bracket or suction cups

#### Dimensions:

16.076"(L) x 7.23" (D)

408.33mm (L) x 183.7mm (D)

#### Capacity:

64-86 ounce (1.9-2.5L) Saf-T-Scoop

#### Product Weight:

3.89lbs (1.76kg)

#### Materials:

Polycarbonate

