

TECHNICAL DATA SHEET

20-24oz Bar & Beverage Saf-T-Scoop®



Product Code: SI7750

20-24 ounce (591ml-709ml) Saf-T-Scoop provide a safe & sanitary solution to serve ice

- Dual Germ-Guards™ prevent thumb and knuckle contact and protect ice from hand contamination
- Durable, break resistant plastic (Polycarbonate)
- Drain hole prevents the scooping of melting ice
- Ergonomic design for fast and efficient use
- Dishwasher safe
- NSF certified

Includes:

Scoop only

Dimensions:

11.76" (L) × 4.78" (D)

98.7mm (L) × 121.5mm (D)

Capacity:

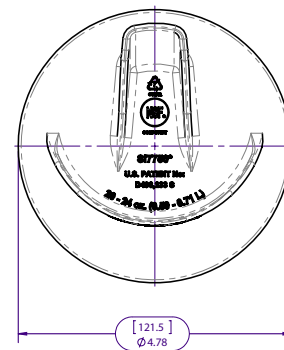
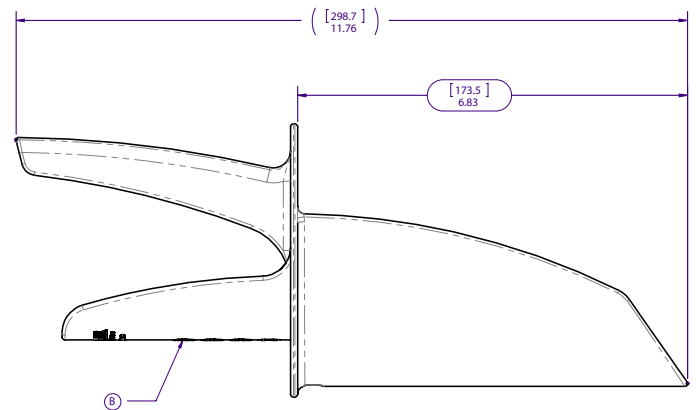
20-24 ounces of ice

Product Weight:

1.56lbs / .70kg

Materials:

Polycarbonate



TECHNICAL DATA SHEET

20-24oz Bar & Beverage Saf-T-Scoop® and Guardian System



Product Code: SI7700

20-24 ounce Saf-T-Scoop and Guardian system prevents dangerous ice contamination by providing a safe storage & sanitary solution to serve ice.

- Dual Germ-Guards™ prevent thumb and knuckle contact and protect ice from hand contamination
- Drain hole prevents the scooping of melting ice
- Ergonomic design for fast and efficient use
- Guardian™ scoop holder encloses and protects scoop from cross contamination when not in use
- Flexible mounting options allow you to suction cup or wire hanging brackets allow you to hang in/outside ice bin
- Drainage cap allows for guardian to drain melted ice
- Durable, break resistant plastic (polycarbonate)
- Dishwasher safe
- NSF certified

Includes:

Both scoop and guardian

Installation:

Wire bracket or suction cups

Dimensions:

12.4"(L) x 7.62" (D)

315mm (L) x 193.5mm (D)

Capacity:

20-24 ounce Saf-T-Scoop

Product Weight:

2.25lbs (1.02kg)

Materials:

Polycarbonate

