



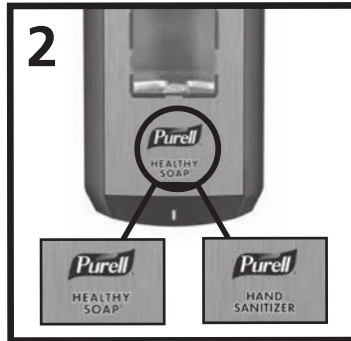
PURELL® CS6 Soap & Sanitizer Dispenser Installation and Use Instructions

Please read all instructions carefully before installing and using the dispenser. Do not install in locations where dispensers may be exposed to wet environments such as showers or areas where walls are washed down.

Dispenser Installation



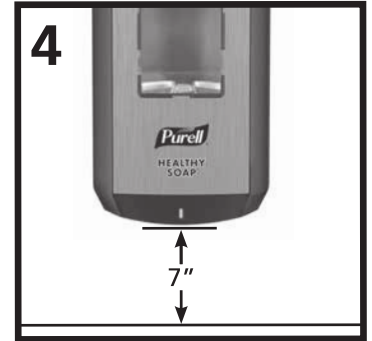
Open dispenser by pressing release buttons on the side and allow the front cover to descend forward.



Check graphic on front of dispenser before installing.
HEALTHY SOAP® = soap dispenser
HAND SANITIZER = hand sanitizer dispenser



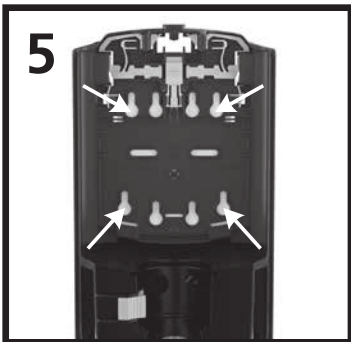
Check label inside dispenser before installing.
CS6 SOAP = soap dispenser
CS6 SAN = hand sanitizer dispenser



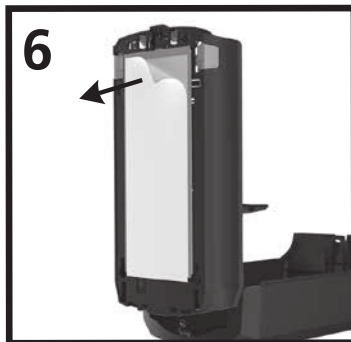
Install dispenser with at least 7" free space above counter top to allow routine service.

If installing with wall fasteners

If installing with tape



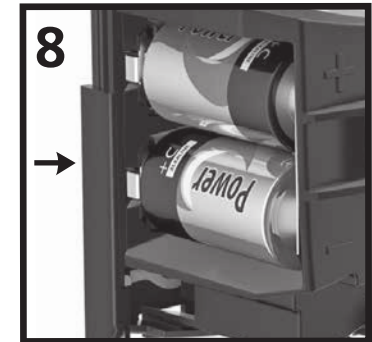
Using the dispenser, pierce the tape on the back plate to mark and drill four holes using 1/4" drill bit. Use the supplied wall anchor and #10 x 1" screws to secure the dispenser in place, being careful not to over tighten. It is recommended to use 4 screws. If only two are possible, the top two holes should be used.
Recommended holes shown.



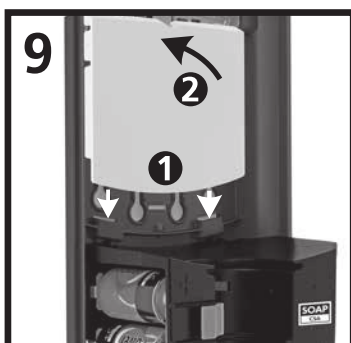
Clean installation surface with an alcohol pad. Allow surface to dry for 60 seconds then peel paper off installation tape and press the dispenser firmly against the wall for 10 seconds. For maximum adhesion, wait 24 hours before loading refill or using dispenser.



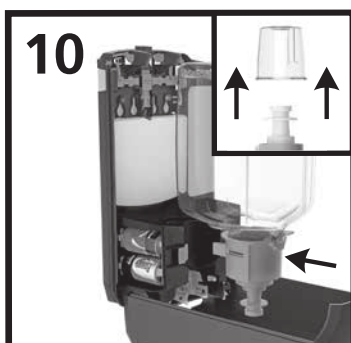
Install the SHIELD™ Floor and Wall Protector into the bottom of the dispenser by aligning plastic tabs on the Shield with slots on the dispenser and sliding up until the tabs snap into place. (Shield is included with Sanitizer Systems and can be ordered for Soap systems).
7745-WHT-18 White SHIELD Floor and Wall Protector
7745-GPH-18 Graphite SHIELD Floor and Wall Protector



Insert the 4 batteries into the side of the dispenser. Make sure +/- battery polarity matches +/- polarity etched onto dispenser



Install vanity plate by inserting plastic tabs located on back of vanity plate into slots in dispenser and push top of vanity plate until a click is heard.



Remove refill cap and push the refill into dispenser until a click is heard



Close dispenser cover.

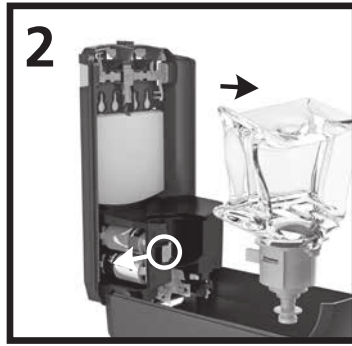


Place palms approximately 2" below dispenser, product will dispense within 1 second of sensor activation.

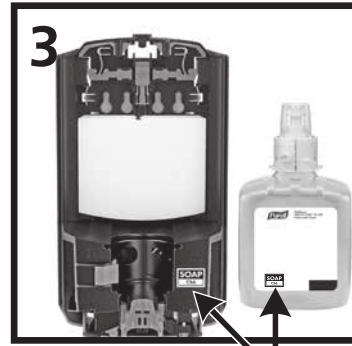
Refill Replenishment



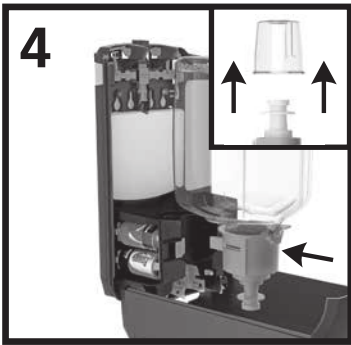
Open dispenser by pressing release buttons on the side and allow the front cover to descend forward.



Push **green** release button and remove empty refill.



Match label on refill with label on dispenser.



Remove refill cap and push the refill into dispenser until a click is heard.

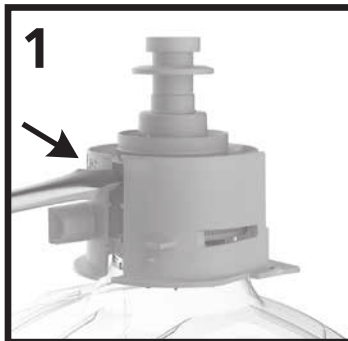


Close dispenser cover.

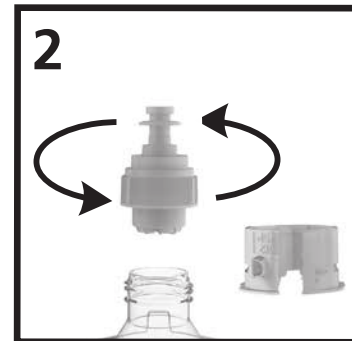


Place palms approximately 2" below dispenser, product will dispense within 1 second of sensor activation.

Disposal/Recycling



Insert a flat blade screwdriver into the slots on the refill collar and twist to separate the collar from the refill. Unscrew the pump from the bottle and discard.

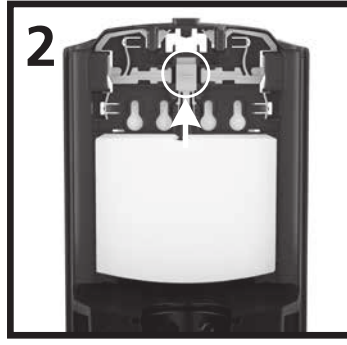


Separate the refill pump from the recyclable PET Bottle. Dispose/Recycle the PET Bottle and Collar.

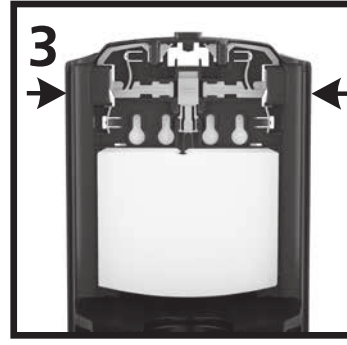
Locking the dispenser with LOCK OR NOT™ Technology



Open dispenser by pressing release buttons on the side and allow the front cover to descend forward.

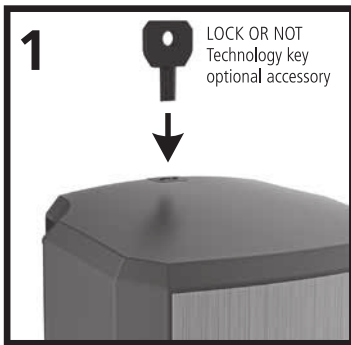


Slide locking mechanism upward until a click is heard.
Dispenser is locked.

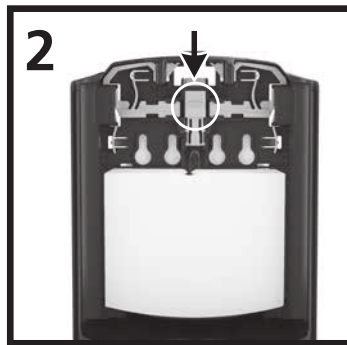


Check for a successful lock by pressing buttons on sides of the dispenser.

Disabling the Locking Mechanism



Insert key in top of dispenser to release front cover.



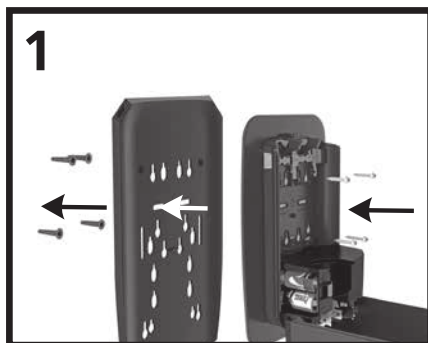
Push locking mechanism downward to unlock dispenser.
Dispenser is unlocked.

TRUE FIT™ Wall Plate and MESSENGER™ Dispenser Station Installation

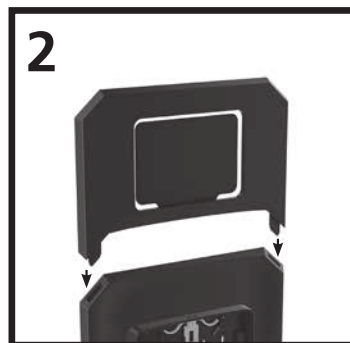
The TRUE FIT & MESSENGER Station are optional accessories that can be utilized with the dispensing systems.

Use the TRUE FIT Wall Plate to cover any wall damage from removing old dispensers.

The MESSENGER Station lets you add a sign to promote good hand hygiene.



Install the TRUE FIT wall plate at the designated anchor holes. Place the TRUE FIT wall plate between the dispenser and the wall during installation.



Slide two prongs at the bottom of the MESSENGER Dispenser Station into the inlet holes above TRUE FIT Wall Plate until they set in. The MESSENGER Dispenser Station accepts a standard 3" x 4" clear name badge holder with a 3" x 4" name badge card that can be ordered from most office supply vendors. Print a message on a 3" x 4" name badge card and insert the message between the frame and back with message facing out.

Order this wall plate if you aren't using a MESSENGER Station.



7740-GPH-18
TRUE FIT Wall Plate - Graphite



7740-WHT-18
TRUE FIT Wall Plate - White

The MESSENGER Station includes a Wall Plate.



7741-GPH-18
TRUE FIT Wall Plate + MESSENGER Dispenser Station - Graphite



7741-WHT-18
TRUE FIT Wall Plate + MESSENGER Dispenser Station - White

Dispenser Status LED

Green Flash - every 7 seconds = good

NO LED - batteries need replaced
- no refill installed

Warnings

Use dispenser only as directed.

Do not use in areas where dispenser may be exposed to wet environments such as showers or outdoors.

Do not install or use in extreme hot or cold locations.

Dispensed product intended for external use only. Refer to refill for actions in case of ingestion.

Cleaning and Maintenance

Clean exterior surfaces of the dispenser using warm water and mild soap.

DO NOT USE ABRASIVE CLEANERS.

Dry with a soft cloth.

Troubleshooting

No Dispensing, Motor Does Not Run

- Hands are not directly beneath sensor
- No refill is loaded

No Dispensing, Motor Runs

- Refill is empty or loaded incorrectly
- Refill pump is not primed

Rated 6Vdc

Battery Operated Appliance

Classification, per UL 60601-1

Internally Powered

Type B Applied Part

IXPO

Not suitable for use in the presence of a flammable anesthetics

Definitions of Symbols



Type B Applied Part



Attention, consult accompanying documents



MEDICAL EQUIPMENT

WITH RESPECT TO ELECTRIC SHOCK,
FIRE AND MECHANICAL HAZARDS ONLY
IN ACCORDANCE WITH UL60601-1, IEC60601-1,
CAN/CSA C22.2 No. 601.1



GOJO Industries, Inc.
One GOJO Plaza, Suite 500
P.O. Box 991 • Akron, OH. 44309-0991
Tel: 1-330-255-6000 • Toll-free: 1-800-321-9647
Fax: 1-800-FAX-GOJO