

# ProTeam Super Coach Pro® 6

107310\* Super Coach Pro 6 w/  
Xover Telescoping Wand Tool Kit D (107100)

**\$630**

The Super Coach Pro 6 commercial backpack vacuum delivers unsurpassed power in an ergonomic, lightweight and comfortable frame. With a smaller footprint, it's easy to maneuver in tight spaces. Easy access post motor filter made from HEPA media captures and contains microscopic particulates and carbon dust.



**TIME SAVINGS**



**CLEANING FOR HEALTH**



**COST OF OWNERSHIP**

## Specifications

Weight:	11.8 lbs./5.35 kg
Motor Airflow:	153 CFM
Static Lift:	91 in.
Motor:	1108 W/9.5 A
Decibel:	69.7 dBA
Capacity:	6 qt./6.6 L
ProLevel Filtration® w/Four Levels of Filtration:	1054 sq. in. total area

## \*\*ProLevel Filtration System with HEPA Media

captures 99.63% at 0.3-5 microns per ASTM F3150

## Limited Warranty

3 years parts, labor and motor on vacuum

Limited lifetime on molded body parts

## \*STANDARD CONFIGURATION

14" Xover Floor Tool	3" Dust Brush
Telescoping Wand	17" Crevice Tool
5" Upholstery Tool	

## RELATED PRODUCTS

107314	Intercept Micro Filters, 10/pk (open collar)	\$18.23
107374	Intercept Micro Filters, 10/pk (closed collar)	25.43

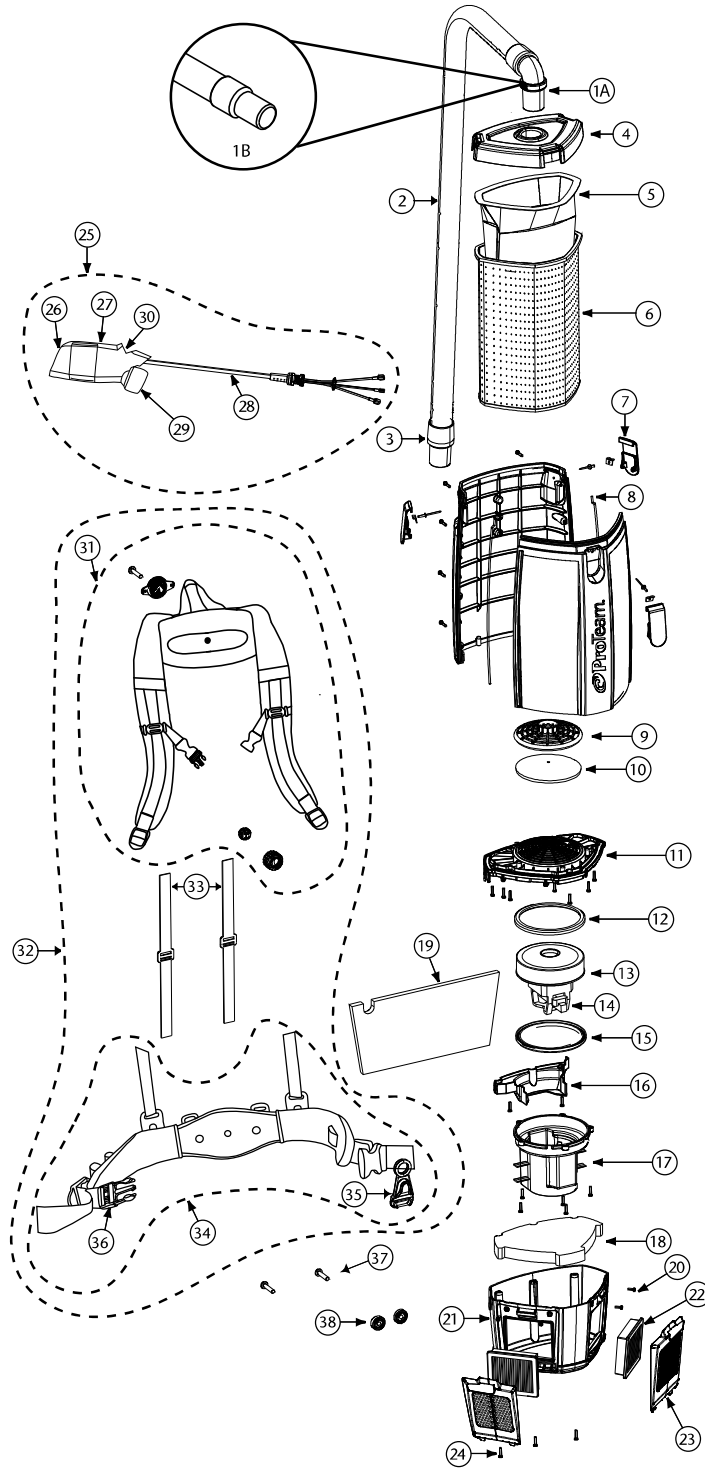
## OPTIONAL CONFIGURATIONS

107308	w/Xover® Two-Piece Tool Kit B (107098)	\$630
107307	w/Xover Performance Telescoping Wand Tool Kit C (107099)	630
107309	w/Hard Surface Floor Kit A (101829)	645
107343	w/15" Carpet Sidewinder® Kit A (106820)	645
107344	w/18" Carpet Sidewinder Kit B (106841)	665
107371	w/Pest Control Kit (103439)	830
107464	w/Carpet and Hard Surface Sidewinder Kit C (107463)	705
107467	w/Remediation Kit (107466)	685
107533	w/ProBlade® Carpet Floor Tool Kit (107530)	630
107534	w/ProBlade Hard Surface Floor Tool Kit (107531)	655
107535	w/ProBlade Carpet and Hard Surface Floor Tool Kit (107532)	695

\*\*The filtration value of ProTeam's ProLevel Filtration System in this vacuum is achieved by the use of a multi-stage filtration system, including intercept micro filter, micro cloth filter, plastic cage with foam filter, and post-motor filter made from HEPA media, as tested per ASTM F3150.

Specification calculations are based on average motor performance.

# SUPER COACH PRO 6 & 10/PROVAC FS 6 PARTS



No.	Product Name	Qty	List Price
1A	101928 Replacement Double Swivel Elbow Cuff	1 ea.	\$ 11.68
1B	100694 Replacement Double Swivel Straight Cuff (PV FS)	1 ea.	6.96
2	107648 48" Static-Dissipating Hose w/ Non-Replaceable Cuffs	1 ea.	35.30
	100505 48" Static-Dissipating Hose w/Straight Cuffs (PV FS)	1 ea.	33.74
3	100694 Replacement Swivel Cuff 1 1/2"	1 ea.	6.96
4	833948 Top Cap (Purple)	1 ea.	43.93
	833948-1 Top Cap (Black) (PV FS)	1 ea.	43.93
5	107313 Intercept Micro Filter (SCP 10)	10/pk	24.30
	107314 Intercept Micro Filter (SCP 6 & PV FS)	10/pk	18.23
6	834000 Micro Cloth Filter (SCP 10)	1 ea.	38.14
	834072 Micro Cloth Filter (SCP 6 & PV FS)	1 ea.	31.50
7	510179 Latch and Retainer w/Lock Nut & Screw	1 set	9.40
8	510180 Gasket for Tank (SCP 10)	2 ea.	5.93
	510181 Gasket for Tank (SCP 6 & PV FS)	2 ea.	4.37
9	510183 Dome Filter w/Foam Media (includes: 10)	1 set	10.16
10	510184 Foam Filter Media for Dome Filter	1 ea.	3.09
11	510193 Upper Motor Support w/Gasket	1 set	7.16
12	833951 Upper Motor Gasket	1 ea.	3.63
13	836099 Motor/Fan (120 V) (Wolong)	1 ea.	152.31
14	841933 Carbon Brush Set (Wolong)	1 set	27.02
	101720 Carbon Brush Set (Ametek)	1 set	27.02
15	833952 Lower Motor Gasket	1 ea.	3.23
16	510185 Cover Wire w/2 screws	1 set	3.31
17	510194 Lower Motor Support (5 screws)	1 set	16.89
18	834042 Triangular Lower Foam Pad	1 ea.	3.74
19	834043 Rectangular Upper Foam Pad	1 ea.	3.43
20	808380-0 Screw Pan CR #8 x 1/2"	1 ea.	1.12
21	510188 Housing Assembly Lower w/Screws	1 set	30.66
22	107315 Exhaust Filter made from HEPA Media (2 pack)	1 set	14.88
23	841708 Exhaust Filter Door w/Latch	1 ea.	9.00
24	808380-22 Screw Pan CR #8 x 3/4"	1 ea.	1.36
25	836225-1 Switch Cord and Power Cord Assembly (includes: 26-30) (PV FS)	1 set	51.52
	836225 Switch Box, Full Assembly (without power receptacle)	1 set	38.64
26	106066 On/Off Switch	1 ea.	9.20
27	836554-1 Switch Box (PV FS)	1 ea.	31.12
	836554 Switch Box (without power cord)	1 ea.	13.54
28	836480 Power Cord Assembly	1 ea.	12.87
29	841724 Power Plug Assembly	1 ea.	6.88
30	836478 Electrified Hose Receptacle (PV FS)	1 ea.	8.65
31	840112 Upper Harness Assembly	1 set	90.92
32	840011 FlexFit Harness Assembly (includes: 31, 33-34)	1 set	195.23
33	510192 Tensioning Straps	1 set	12.87
34	840114 Lower Harness Assembly (includes: 35, 36)	1 set	91.45
35	510738 Cord Holder	1 ea.	3.43
36	510301 Waist Belt Buckles and Straps Set	1 set	14.83
37	834051 5/16" - 18x1 - 3/8" Lock Screw (2 screws)	1 set	6.26
38	510186 Harness Spacers	2 ea.	3.98
	101678 50' Extension Cord (Not Shown)	1 ea.	43.30