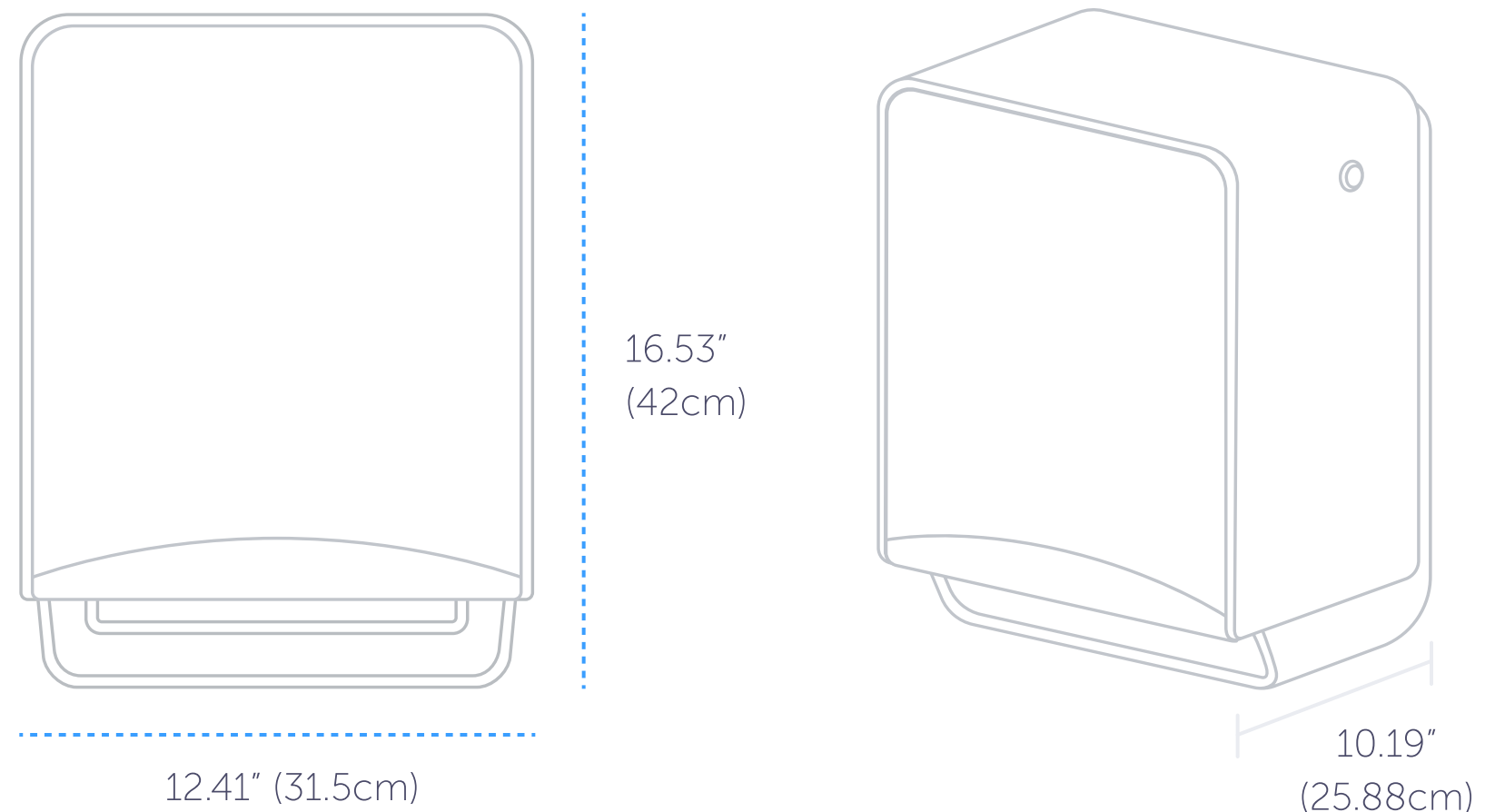


OVERVIEW

ICON™ Automatic Roll
Towel Dispenser - Wall Mount

Dimensions (WxHxD)	Qty/Case
12.41" x 16.53" x 10.19"	1x
31.5cm x 42cm, 25.88cm	

Lifetime Warranty † ✓



TECHNICAL SPECIFICATIONS

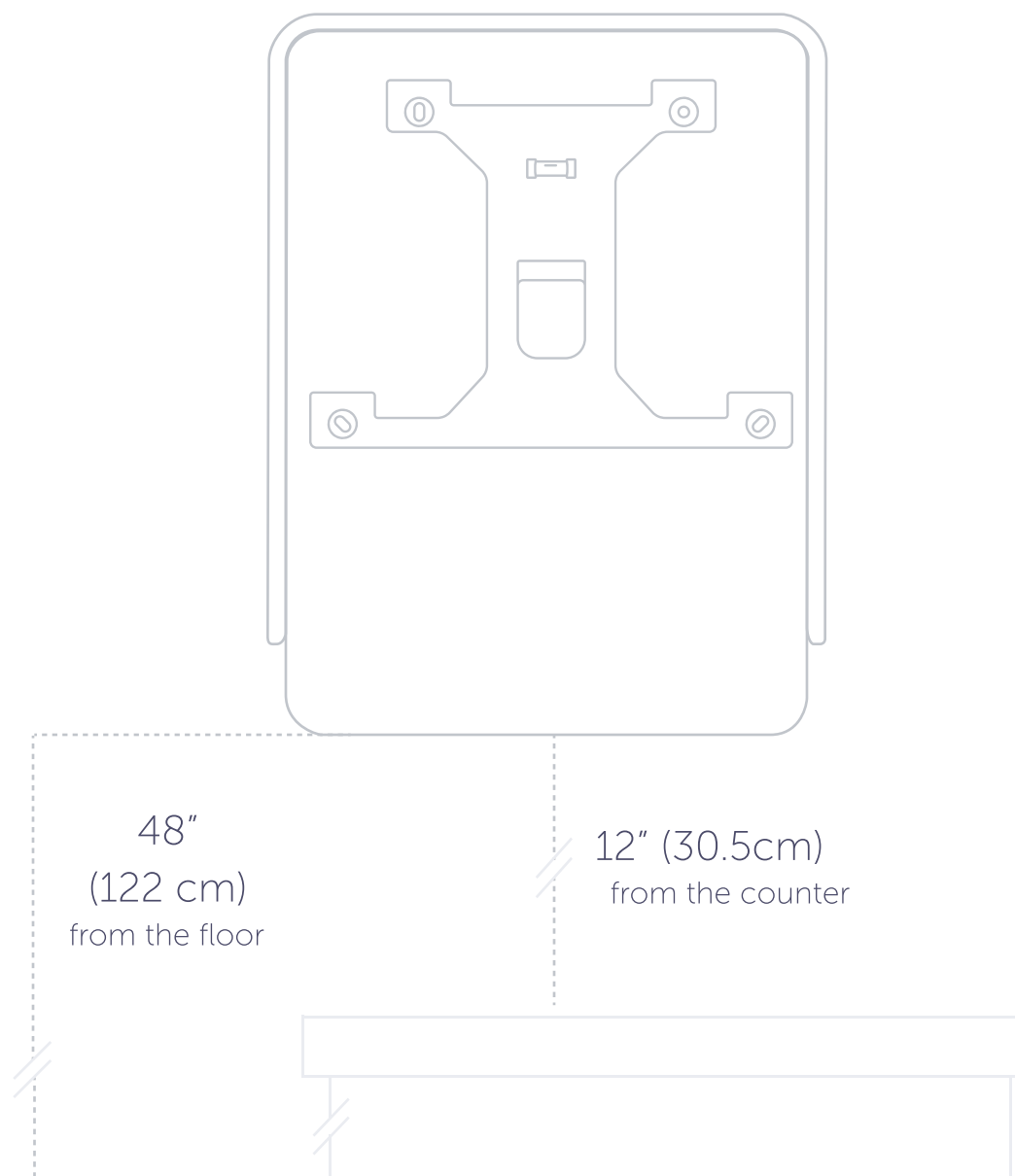
Suggested mounting height is 48" (122cm) from the floor or 12" (30.5cm) above a counter.

Required clearance

16.53" (42cm) x 12.41" (31.5cm) flat space
2.75" (7cm) on either side

When installed properly and used with the corresponding product, this dispenser meets ADA Standard 28 CFR Part 36, local rules may vary.

ADA Compliant * ✓



DISPENSER PRODUCT CODES

- Black Mosaic (58720)
- Silver Mosaic (53691)
- White Mosaic (58710)
- Ebony Woodgrain (58750)
- Cherry Blossom (58730)
- Warm Marble (58740)

To create and order custom faceplates please follow this [link](#).

PRODUCT FEATURES

- Precision detection from patented dual sensors provides effortless operation with a single motion.
- With practically noiseless operation, ICON™ hand towel dispenser is 85% quieter than the leading competition.¹
- LED lights communicate when a unit needs attention, minimizing touchpoints for an improved experience.
- Proven 99.99% jam-free performance to ensure paper towels are available when needed.
- Stub roll capability enables restocking before the roll is empty, streamlining maintenance.
- Long-lasting battery life, single set of batteries can last for more than 150,000 dispenses²
- Versatile security options of keyed or keyless entry, and the choice of left or right lock location for easier access.
- Sophisticated dampened hinges make change-outs effortless, with smooth, one-handed operation.
- Color-coded system simplifies maintenance and minimizes touchpoints, for a more hygienic paper towel change-over.
- Three sheet length settings, and two sensor sensitivity settings