



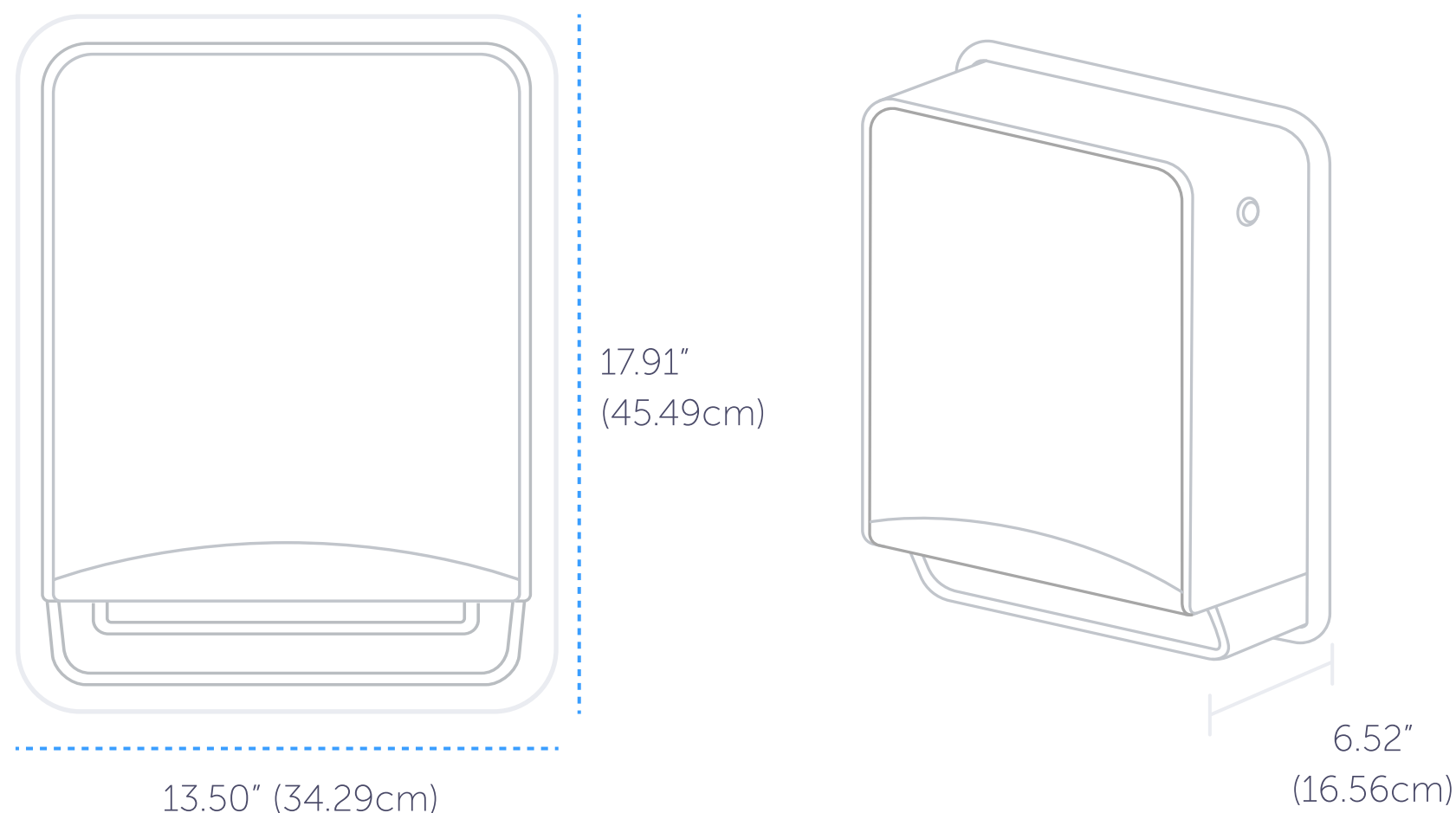
OVERVIEW

ICON™ Automatic Roll  
Towel Dispenser | Recessed

Dimensions (WxHxD)	Qty/Case
13.50" x 17.91" x 6.52" 34.29cm x 34.29cm, 16.56cm	1x

Stainless Steel (53706)

Lifetime Warranty<sup>4</sup> ✓



MOUNTING SPECIFICATIONS

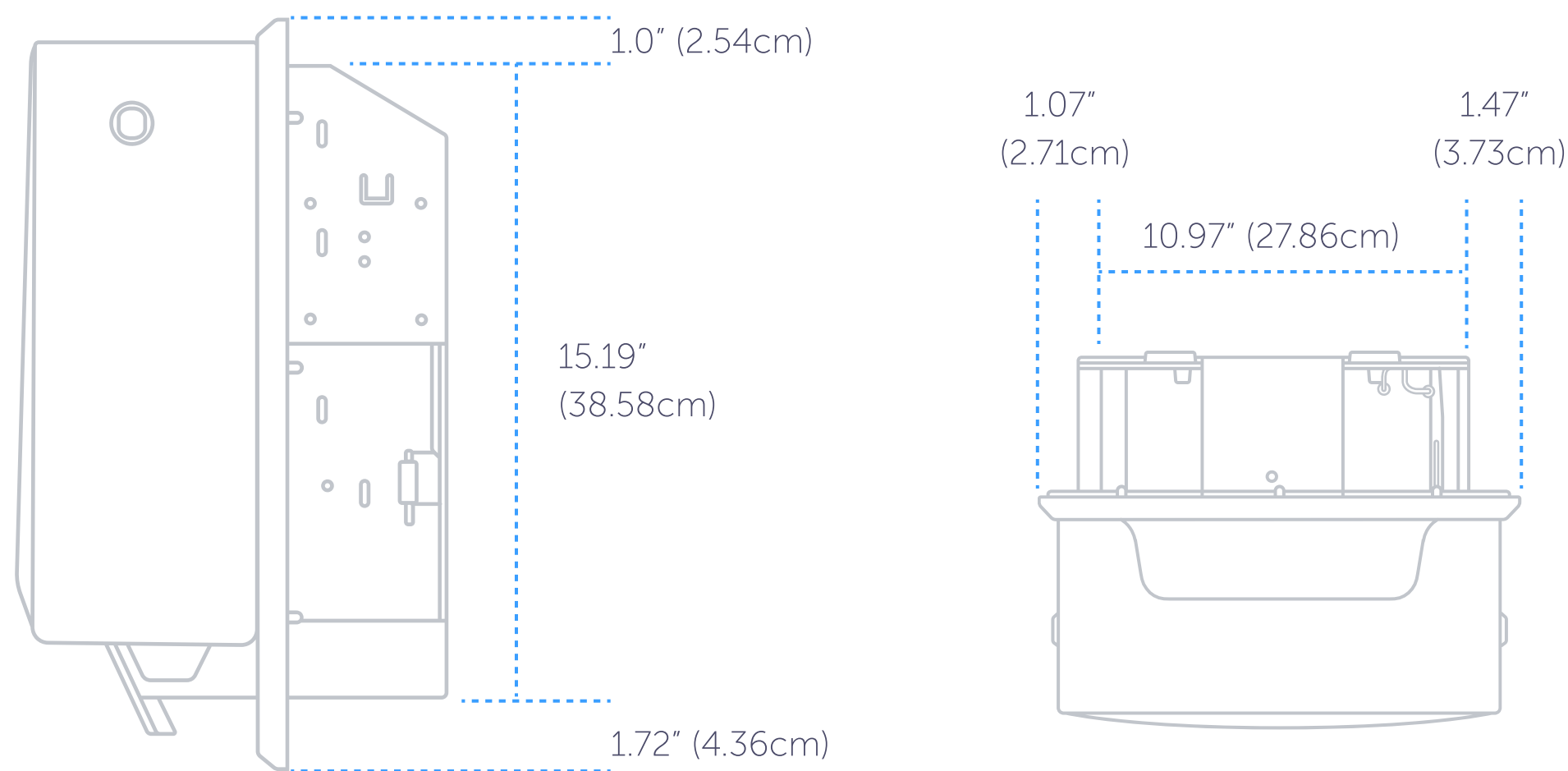
Suggested mounting height is 48" (122cm) from the floor.

When installed properly and used with the corresponding product, this dispenser meets ADA Standard 28 CFR Part 36, local rules may vary.

Rough Wall Opening

11" (28cm) Wide  
15" (38cm) High  
4" (10cm) Minimum Depth

ADA Compliant<sup>5</sup> ✓



PRODUCT FEATURES

- Precision detection from patented dual sensors provides effortless operation with a single motion.
- Long-lasting battery life, single set of batteries can last for more than 150,000 dispenses<sup>2</sup>
- With practically noiseless operation, ICON™ hand towel dispenser is 85% quieter than the leading competition.<sup>1</sup>
- Versatile security options of keyed or keyless entry, and the choice of left or right lock location for easier access.
- LED lights communicate when a unit needs attention, minimizing touchpoints for an improved experience.
- Sophisticated dampened hinges make changeouts effortless, with smooth, one-handed operation.
- Proven 99.99% jam-free performance to ensure paper towels are available when needed.<sup>3</sup>
- Color-coded system simplifies maintenance and minimizes touchpoints, for a more hygienic paper towel change-over.
- Stub roll capability enables restocking before the roll is empty, streamlining maintenance.
- Three sheet length settings, and two sensor sensitivity settings