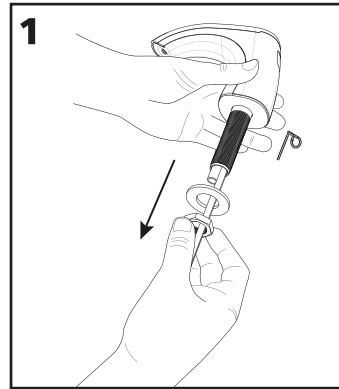


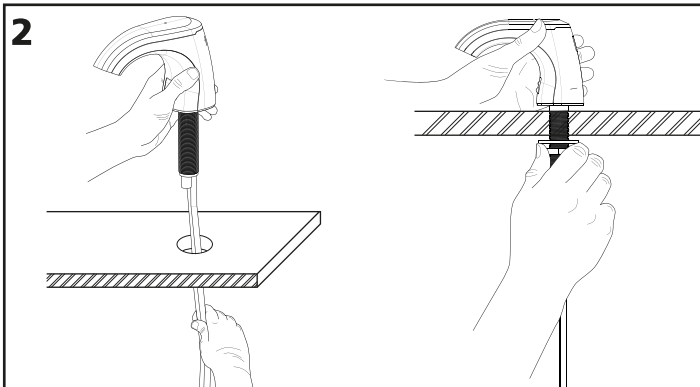
PURELL® CXR™ REDIFOAM™ DISPENSING FIXTURE INSTALLATION GUIDE

Counter prep:

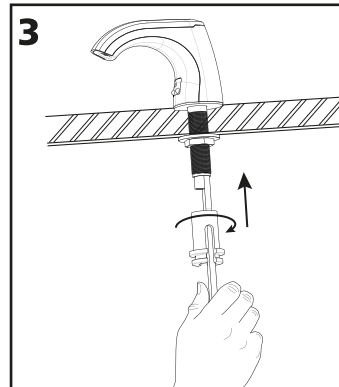
- If there is a dispenser currently installed:
 - Remove the existing dispenser
 - Clean the counter surface of debris or residue.
 - Verify the diameter of the existing counter hole is 15/16" to 1-1/4"
- If there is no hole in the counter:
 - Prior to drilling, examine below the counter to ensure adequate clearance for the new unit.
 - Drill a 1" diameter hole in the counter top.
 - The hole can be drilled to either the right or the left of the faucet. Ensure adequate clearance below the counter.



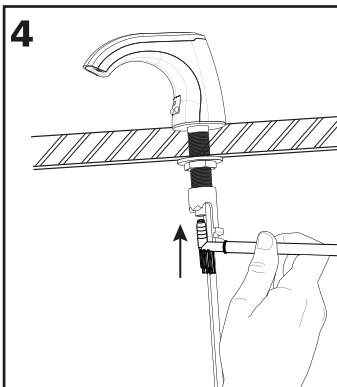
1 Remove Stem Extender, Nut and Washer from Stem.



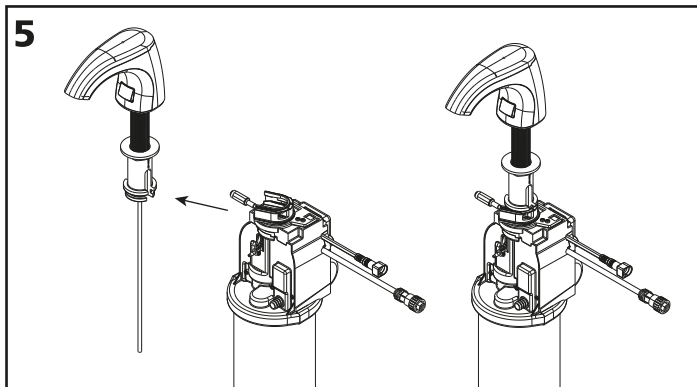
2 Insert Spout into counter hole. Align the Spout in the desired position. From the underside of the counter, assemble the Washer, then the Nut onto the Stem and tighten. For proper installation, counter thickness cannot exceed 2-1/4"



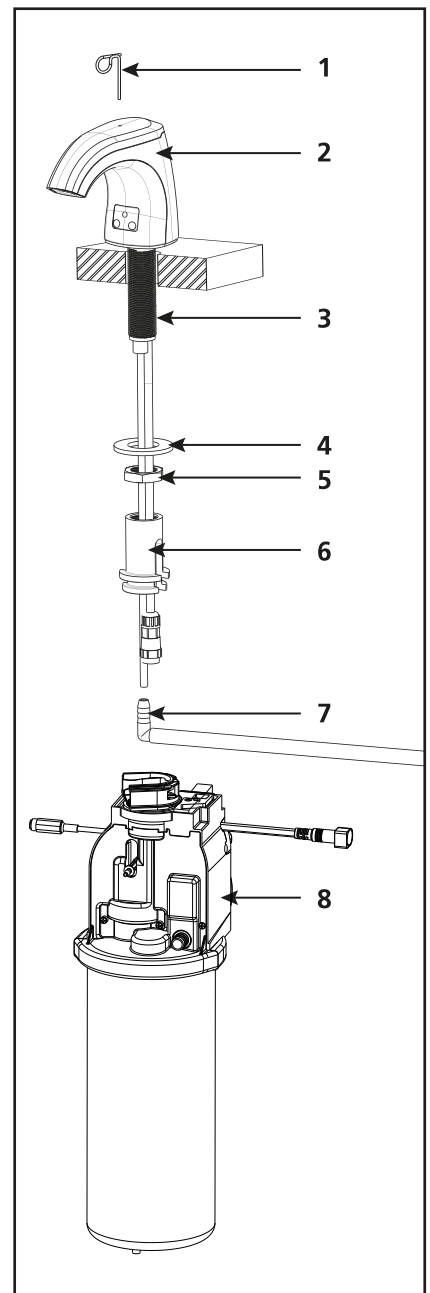
3 Thread the Stem Extender onto the Stem until it stops.



4 Insert the Fill Tube Extender into the large tube as shown (A 1/4" nut driver may be used to help insert the Fill Tube Extender).



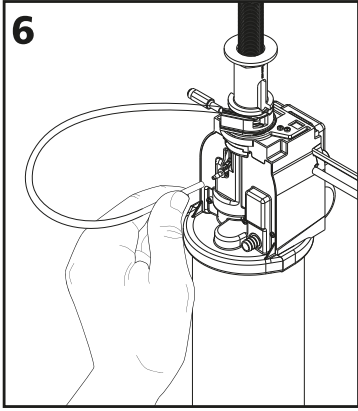
5 Slide Pump Assembly onto pump extender.



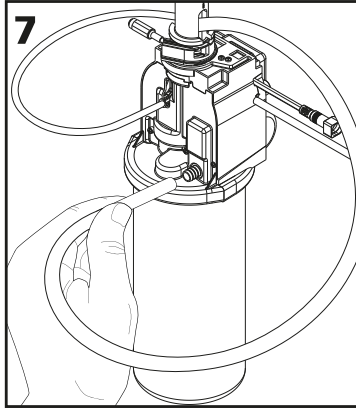
ITEM	DESCRIPTION	QTY
1	Key	1
2	Spout	1
3	Stem	1
4	Washer	1
5	Nut	1
6	Stem Extender	1
7	Tube Extender	1
8	Pump Assembly	1

Instructions continued on the back. Please turn over. →

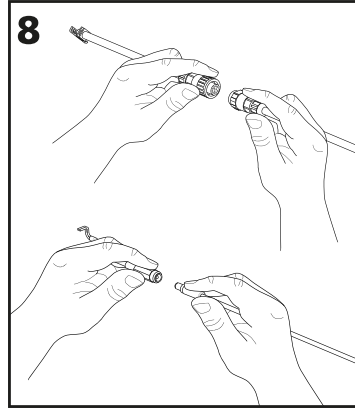
PURELL® CXR™ REDIFOAM™ DISPENSING FIXTURE INSTALLATION GUIDE CONTINUED



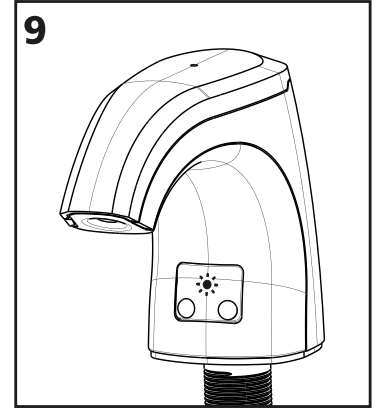
6 Insert the small tube over the pump outlet.



7 Insert the Fill Tube over the Pump Assembly connector.

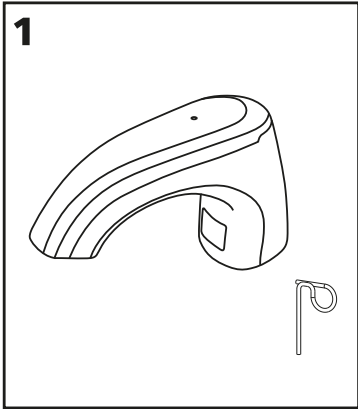


8 Connect the Yellow Data Connector. Connect the Power Connector to battery box or AV adaptor.

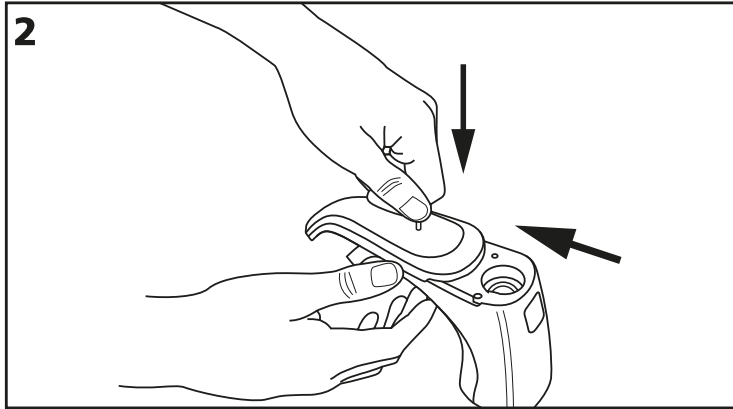


9 The Spout indicator light will flash for 15 seconds.

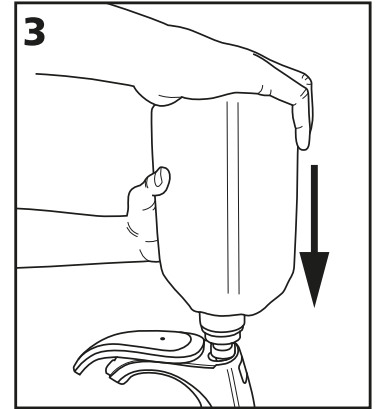
PURELL CXR REDIFOAM DISPENSING FIXTURE FILLING INSTRUCTIONS



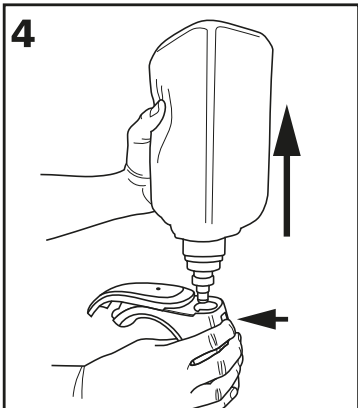
1 Spout and key.



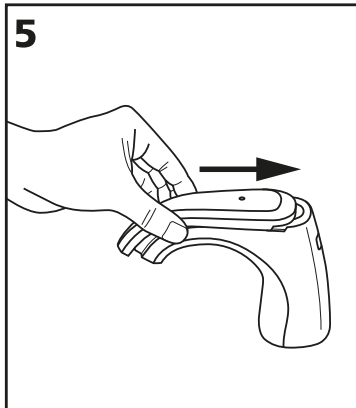
2 Insert Key into hole in top of Spout, then slide Spout door forward.



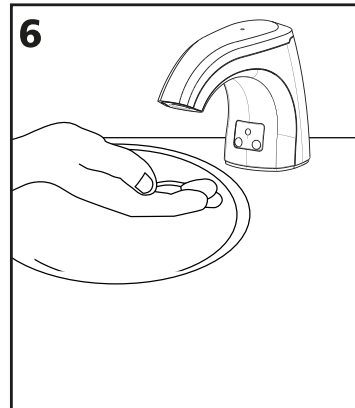
3 Remove Dust Cap from Soap Refill, then insert into Spout opening until the Refill clicks into place. Orange light indicates soap is flowing into dispenser. If orange light does not illuminate, adjust position of refill until it comes on.



4 Depress Refill Release Button on back of Spout to release refill. Remove empty refill.



5 Push Spout door back into locked position.



6 Pass your hand under the Spout to dispense. Note, 4 activations are required at startup to dispense foam soap.

CLEANING THE DISPENSER

- Use only mild soap
- Do not use abrasives