

PURELL® BRAND CXT™ TOUCH FREE COUNTER MOUNT DISPENSER INSTALLATION INSTRUCTIONS

These instructions apply to the PURELL CXT dispenser

Please carefully read all instructions before installing and using the dispenser.

TOUCH FREE COUNTER MOUNT SYSTEM INSTALLATION GUIDE

If there is a dispenser currently installed

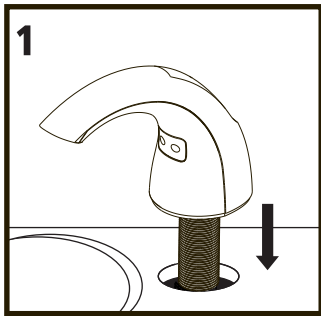
- Remove the existing unit, both the above and below counter assemblies
- Clean the counter area where the previous dispenser was located
- Verify the size of the existing counter hole is 15/16" to 1-1/4" in diameter

If there is no hole in the counter

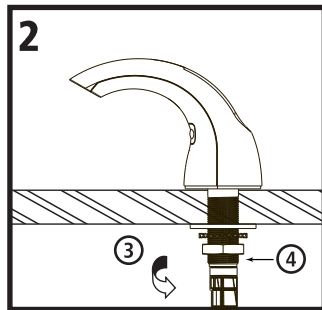
- **Prior to drilling**, examine below counter to ensure adequate clearance for the new unit
- Drill a 1" diameter hole in the counter top
- The hole can be drilled to either the right or left of the faucet, ensuring adequate clearance for the below counter assembly
- Clean the counter area where the new hole is located

Installing the CXT Touch Free Counter Mount System

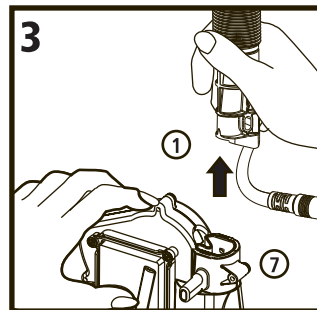
Prior to beginning installation, study the exploded view of the touch free counter mount System and locate all the pieces. If using a battery box to power the system, look beneath the countertop to find a suitable place for mounting of the battery box (8) so that it will not interfere with system components or plumbing.



Feed the data cable (5a) and the stem of the dispenser assembly (1) through the hole in the countertop. Point the spout of the dispenser into the sink bowl.

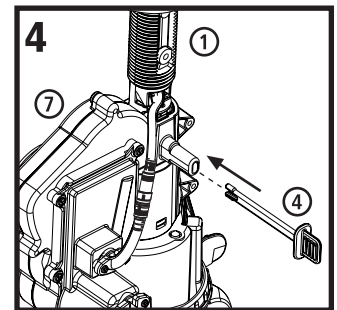


From underneath the counter, first feed the washer (2) and then the mounting nut (3a) over the data cable (5a) and onto the threaded stem of the dispenser assembly (1). Tighten the nut securely.



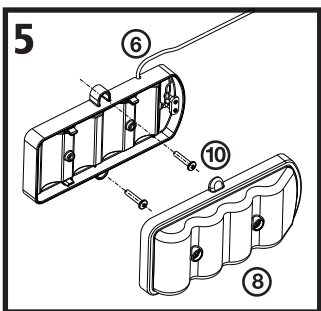
Align the indent inside the top of the motor assembly/bottle support (7) with the indent on the stem of the dispenser assembly (1) and firmly push the motor assembly/bottle support up, onto the stem.

NOTE: Hold the data cable (5a) out of the way as you push up on the motor assembly/bottle support. Continue pushing upward until the vertical slots in the dispenser stem and the motor assembly/bottle support line up.

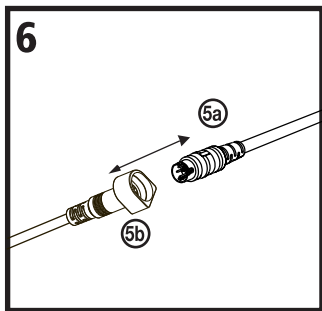


Secure the motor assembly/bottle support (7) to the dispenser assembly (1) stem by pushing the retaining clip (4) into place through the vertical slots, until it goes all the way through the motor assembly.

NOTE: Motor assembly/bottle support will rotate 360° to avoid any obstruction.

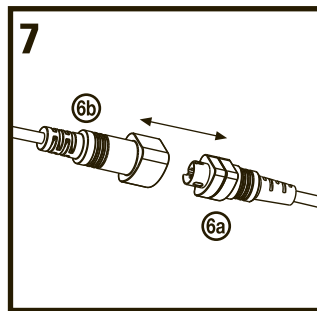


If using a battery box, remove the cover (8) by loosening the two captive screws on the battery box cover. Position the box on a convenient (vertical or horizontal) surface under the counter top that will allow access for battery changing. Attach the box to the surface using the two screws (10) and anchors (if attaching to a plaster or masonry surface). Use the wall clip (not shown) to secure the power cable to a wall or other under-counter surface if desired.



Connect the two halves of the data cable (5a) and (5b) by lining up the white stripes on each half and pushing the cable connectors together until the stripes touch.

Improperly assembled connectors can cause unit to not function as intended.

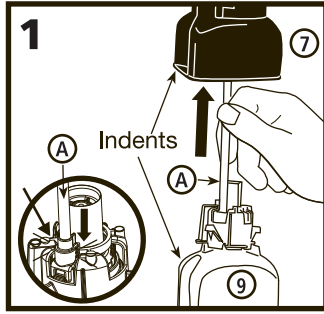


Connect the Power Connector to battery box or AC adaptor.

NOTE: After the batteries are installed in the battery box and the two halves of the data cable are connected, it will take approximately 20 seconds before the touch free Counter Mount system is ready to dispense soap.

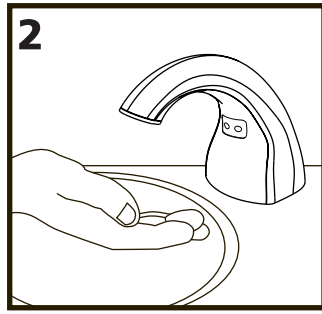
Refill Installation

(refill ⑨ sold separately)



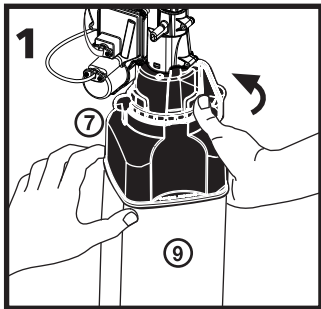
Snap in dispenser straw (A) (see inset). Feed the dispenser straw (A) on the refill bottle (9) up through the motor assembly/bottle support (7) and dispenser assembly (1), aligning the two indents in the bottle and the support. Slide the bottle upward until it snaps into place.

NOTE: The refill is not properly installed until you hear the "snap" (as the green release latch on the motor assembly/bottle support (7) engages).

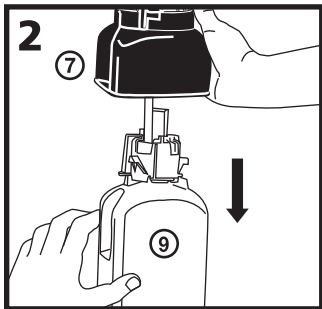


Test the system by passing your hand under the spout of the dispenser assembly (1) (in front of the sensor window) three or four times, until foam soap appears. If the system does not dispense soap after passing your hand in front of the sensor several times and no sound heard from motor assembly after placing hands in front of sensor, check to see that the data cable (5) and energy source (6) halves are firmly connected, that the batteries are "good", and that the battery box (8) cover is properly positioned and fastened to the box. If not dispensing or multi-activating, check for bent contact pins inside connector (5b).

Refill Removal



Grasp the empty refill bottle (9) with one hand and use the other hand to push the green release latch on the motor assembly/bottle support (7) to the right (counterclockwise as seen from above).



While still pushing the green release latch, pull downward on the refill bottle (9) and remove it from the motor assembly/bottle support (7).

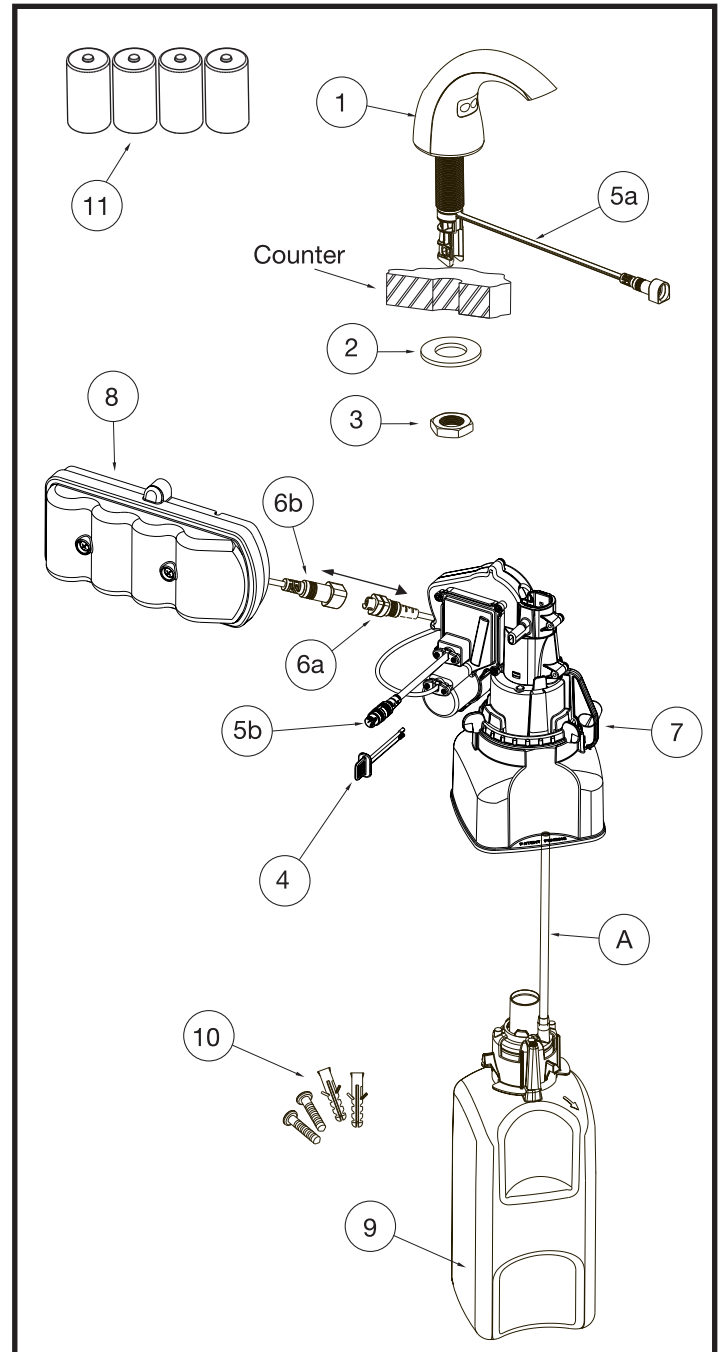
Cleaning the Counter Mount System

Use only mild soap and water to clean the touch free counter mount system spout. Cover the sensor window while cleaning the spout so that you do not continue to dispense soap.

DO NOT use abrasives to clean the dispensing spout (since this may damage the finish or the sensor window).



GOJO Industries, Inc.
One GOJO Plaza, Suite 500
P.O. Box 991 • Akron, OH 44309-0991
Tel: 1-330-255-6000 • Toll-free: 1-800-321-9647
Fax: 1-800-FAX-GOJO



ITEM	DESCRIPTION	QTY.
1	DISPENSER ASSEMBLY	1
2	FLAT WASHER	1
3	MOUNTING NUT	1
4	RETAINING CLIP	1
5	DATA CABLE (2 HALVES WITH CONNECTOR - a and b)	1
6	POWER CABLE (2 HALVES WITH CONNECTOR - a and b)	1
7	MOTOR ASSEMBLY/BOTTLE SUPPORT	1
8	BATTERY BOX (4 "D" CELL BATTERIES PROVIDED)	1
9	REFILL BOTTLE (SOLD SEPARATELY)	1
10	SCREWS & ANCHORS FOR BATTERY BOX MOUNTING	2 EA.
11	"D" CELL BATTERIES (PROVIDED)	4