

pactiv 
evergreen

**Foam Hinged
Lid Containers**

◆◆◆ **Great for Take Out** ◆◆◆



**Economical container solutions for everything from
Salads to Side Dishes to Hot Entrées**



** Made in the USA from globally sourced materials

VPA™

Virtual Packaging Assistant (VPA)

The NEW App for all your Foodservice Packaging Solutions!
Available Now for your Apple, Android and Windows Device.

Powered by  **pactiv evergreen**



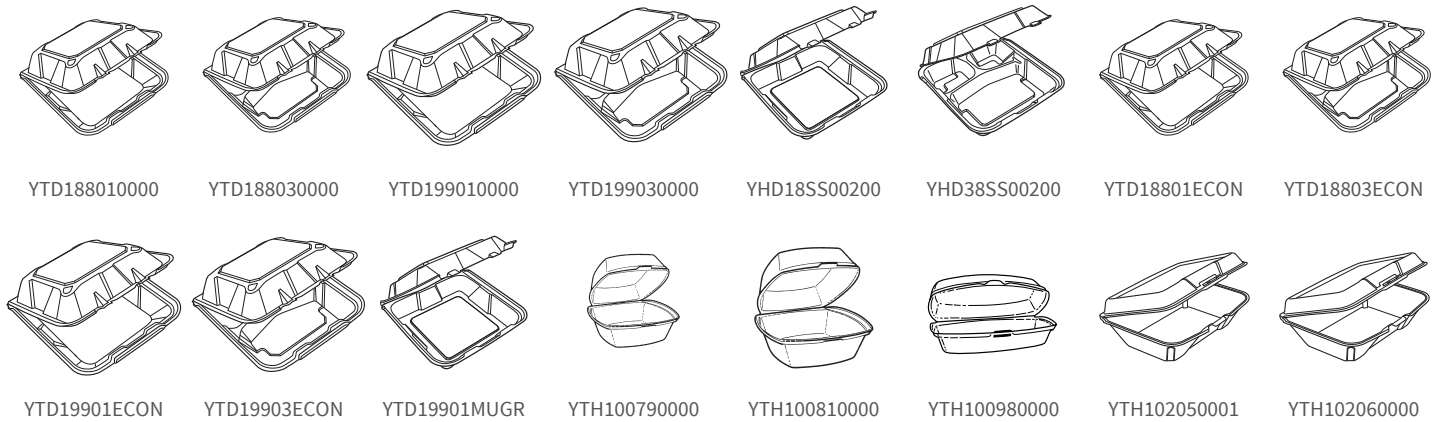
pactiv 
evergreen

pactiv.com | earthchoicepackaging.com



Pactiv Evergreen's Conventional White TD Containers offer an optional venting system on most sizes. These push-in vents help to keep products fresh and crispy.

- Durable construction for multi-food applications
- Insulated to keep hot foods HOT and cold foods COLD
- Keeps food organized and secure
- Available in a variety of sizes and shapes
- Custom embossing available
- Economical



PRODUCT SPECIFICATIONS

Item Number	Description	Dimension in Inches	Case		Packing		Cases/Unit Load
			Cube	Approx Wt.	Sleeve	Case	
YTD188010000	Medium Vented 1-Compartment Container	8.42 X 8.15 X 3	2.76	5.61	1/150	150	18
YTD188030000	Medium Vented 3-Compartment Container	8.42 X 8.15 X 3	2.76	5.60	1/150	150	18
YTD199010000	Large Vented 1-Compartment Container	9 X 9 X 3.25	2.60	6.77	1/150	150	20
YTD199030000	Large Vented 3-Compartment Container	10 X 9 X 3.25	2.60	6.80	1/150	150	20
YHD18SS00200	Medium 1-Compartment Container Shallow, Happy Face Embossed	8 X 7.75 X 2.25	3.362	7.082	200	200	18
YHD38SS00200	Medium 3-Compartment Container Shallow, Happy Face Embossed	8 X 7 X 2.25	3.362	7.082	200	200	18
YTD18801ECON	Medium Vented 1-Compartment Container Economy	8.42 X 8.15 X 3	2.373	4.989	150	150	20
YTD18803ECON	Medium Vented 3-Compartment Container Economy	8.42 X 8.15 X 4	2.373	4.989	150	150	20
YTD19901ECON	Large Vented 1-Compartment Container Economy	9 X 9 X 3.25	2.603	5.459	150	150	20
YTD19903ECON	Large Vented 3-Compartment Container Economy	10 X 9 X 3.25	2.603	5.459	150	150	20
YTD19901MUGR	Large Vented 1-Compartment Container, Muchas Gracias Embossed	9 X 9 X 3.5	2.60	6.77	1/150	150	20
YTH100790000	Small 1-Compartment Square Sandwich Container	5.125 X 5.125 X 2.5	3.71	6.46	5/100	500	16
YTH100810000	Medium 1-Compartment Square Sandwich Container	6.375 X 6.375 X 3	3.82	8.98	4/125	500	14
YTH100980000	Medium 1-Compartment Hot Dog Container	7.25 X 3 X 2	4.53	7.39	6/84	504	12
YTH102050001	Large 1-Compartment Rectangle Container	9.2 X 6.5 X 2.75	2.07	6.55	150	150	24
YTH102060000	Large 1-Compartment Rectangle Container Shallow	9.2 X 6.5 X 1.625	2.16	5.99	150	150	24



Pactiv Evergreen's SmartLock® Vented Foam Hinged Containers are ideal for transporting foods that need to stay fresh and hot.

- Durable construction for multi-food applications
- Insulated to keep hot foods HOT and cold foods COLD
- Meets the challenge of heavier foods
- Double tab enclosure with audible “click” means it is closed
- Stacking rim increases transport performance
- Custom embossing available



PRODUCT SPECIFICATIONS

Item Number	Description	Dimension in Inches	Case		Packing		
			Cube	Approx Wt.	Sleeve	Case	Cases/ Unit Load
YHLW06000000	White 6 " White Square Container	5.75 X 5.75 X 3.25	5.26	9.58	6/84	504	12
YHLW07010000	White Small 1 Compartment	7.5 X 8 X 2.625	2.35	4.90	1/150	150	20
YHLW07030000	White Small 3 Compartment	7.5 X 8 X 2.625	2.35	4.90	1/150	150	20
YHLW08010000	White Medium 1 Compartment	8 X 8.5 X 3	2.57	5.64	1/150	150	20
YHLW08030000	White Medium 3 Compartment	8 X 8.5 X 3	2.57	5.64	1/150	150	20
YHLW09010000	White Large 1 Compartment	9 X 9.125 X 3.25	2.95	6.88	1/150	150	20
YHLW09030000	White Large 3 Compartment	9 X 9.125 X 3.25	2.95	6.88	1/150	150	20
YHLWV9010000	White Large 1-Compartment Vented Container	9 X 9.5 X 3.25	2.95	6.90	1/150	150	20
YHLWV9030000	White Large 3-Compartment Vented Container	9 X 9.5 X 3.25	2.95	6.68	1/150	150	20
YHLW10010000	White X-Large 1-Compartment Container	9.5 X 10.5 X 3.25	6.48	15.99	2/125	250	8
YHLW10030000	White X-Large 3-Compartment Container	9.5 X 10.5 X 3.25	6.48	15.99	2/125	250	8
YHLW01880000	White Medium Carry-Out Container	8.75 X 5.5 X 3	3.49	7.00	2/110	220	16
YHLW01840000	White Medium Rectangular Container	8.75 X 4.5 X 3.125	5.22	10.72	4/110	440	12
YHLW01890000	White Large Carry-Out Container	9.3125 X 6.1875 X 3.25	3.93	7.84	2/110	220	12
YHLB06000000	Black Medium Square Container	5.75 X 5.75 X 3.25	5.26	10.79	6/84	504	12
YHLB08010000	Black Medium 1-Compartment Container	8 X 8.5 X 3	2.57	6.52	1/150	150	20
YHLB08030000	Black Medium 3-Compartment Container	8 X 8.5 X 3	2.57	6.55	1/150	150	20
YHLB09010000	Black Large 1-Compartment Container	9 X 9.125 X 3.25	2.95	7.89	1/150	150	20
YHLB09030000	Black Large 3-Compartment Container	9 X 9.125 X 3.25	2.95	7.89	1/150	150	20
YHLBV9010000	Black Large 1-Compartment Container	9 X 9.5 X 3.25	2.95	7.28	1/150	150	20





- Extra strong for heavier foods
- Laminated on the inside and outside of the container for maximum heat tolerance and strength
- Insulated to keep hot foods HOT and cold foods COLD
- Available in white or black in a variety of sizes
- Double-slot closure



Y80561000000



Y80215000000



Y80663000000



YTXB060000000



YTXB080100000



YTXB090100000



YTXB090300000

PRODUCT SPECIFICATIONS

Double Laminated (DL) Foam Hinged Lid Containers - White

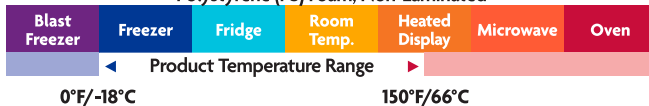
Item Number	Description	Dimension in Inches	Case		Packing		Cases/ Unit Load
			Cube	Approx Wt.	Sleeve	Case	
Y80561000000	8" 1 Compartment, Medium Hinged Lid Container	8.44 X 7.875 X 2.5	2.01	6.33	2/75	150	27
Y80215000000	8" 3 Compartment, Medium Hinged Lid Container	8.44 X 7.875 X 2.5	2.01	6.33	2/75	150	27
Y80663000000	8" 3 Compartment, Deep Medium Hinged Lid Container	8.44 X 7.875 X 3.125	2.18	6.78	2/75	150	27

Premier Foam DL Hinged Lid Containers - Black

Item Number	Description	Dimension in Inches	Case		Packing		Cases/ Unit Load
			Cube	Approx Wt.	Sleeve	Case	
YTXB060000000	6" 1 Compartment Hinged Lid Container	5.75 X 5.75 X 2.75	3.50	10.62	4/125	500	16
YTXB080100000	8" 1 Compartment Hinged Lid Container	8.44 X 7.875 X 3.125	2.18	6.66	2/75	150	27
YTXB090100000	9" 1 Compartment Hinged Lid Container	9 X 9 X 3.375	2.76	8.06	1/150	150	27
YTXB090300000	9" 3 Compartment Hinged Lid Container	9 X 9 X 3.375	2.76	8.06	1/150	150	20

Conventional & SmartLock® Hinged Lid Containers

Polystyrene (PS) Foam, Non-Laminated



DL & Premier Hinged Lid Containers

Polystyrene (PS) Foam, Double-Laminated



These guidelines are supplied to assist you in determining the proper use of Pactiv Evergreen products. They are based upon testing and published guidelines and are reliable in most applications. However, because every food supplier's recipes, ingredients, processes and supply chain is unique, these guidelines are not a substitute for product testing. Confirmation of product acceptability under your specific conditions of use must be done by you.