

DOUBLE OVERSHELVES

Models: DOS43, DOS60P, DOS68, DOS93 Overshelf not available on CPA118 models.

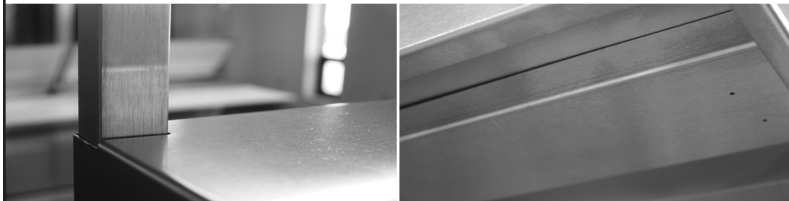
DOS - Double Overshelves for Bases & Pizza Prep Tables

Heavy-duty, stainless steel, tubular-style, pass-thru overshelves cantilever to rear of Base or Pizza Prep Table models. Standard with "hat channel" under each shelf for field-added components.



Bottom shelf adjustable to 19", 21" or 23" in height

Standard with "hat channel" under each shelf



Model Features

- Pass-thru shelving
- Heavy-gauge stainless steel, tubular-style poles, 1 1/4" square, .083 wall, cantilever to rear of base
- Heavy, 16-gauge stainless steel shelves
- Bottom shelf adjustable to 19", 21" or 23" in height
- Top shelf fixed height of 36" from worktop
- 16" Deep
- Standard with "hat channel" under each shelf for field-added components
- Pre-drilled holes for mounting a heat lamp by others

NOTE: Tubular-style overshelves are available as pass-thru shelves only.

Continental
Refrigerator

Toll-Free: 800-523-7138
Phone: 215-244-1400
Fax: 215-244-9579

539 Dunksferry Road
Bensalem, PA 19020
www.continentalrefrigerator.com

Project Name:

Model Specified:

Location:

Item No:

Quantity:

AIA #:

SIS #:

Product Specifications

DIMENSIONAL DATA (ALL MODELS)

Depth (in.)	16 (406 mm)
Height, Bottom Shelf (adjustable) (in.)	19 (483 mm) 21 (533 mm) 23 (584 mm)
Height, Top Shelf (fixed height) (in.)	36 (914 mm)

DOS43

Width (in.)	42 1/4 (1073 mm)
Shipping Weight (lbs.)	70 (32 kg)

DOS60P

Width (in.)	59 1/4 (1505 mm)
Shipping Weight (lbs.)	82 (37 kg)

DOS68

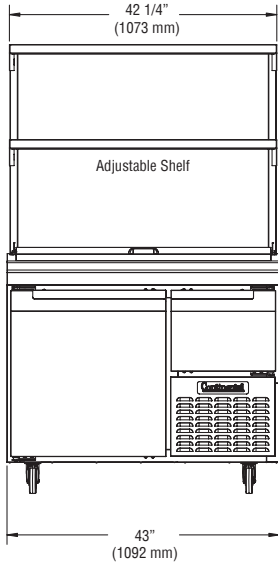
Width (in.)	67 1/4 (1708 mm)
Shipping Weight (lbs.)	85 (39 kg)

DOS93

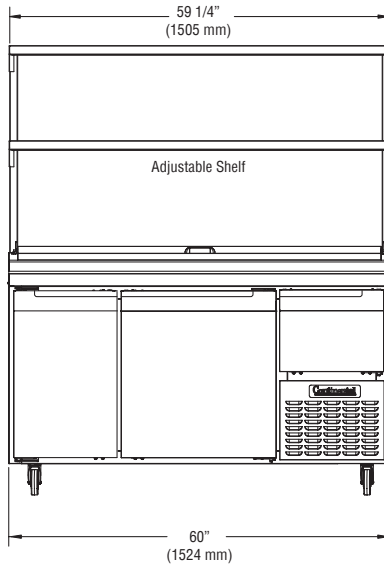
Width (in.)	92 1/4 (2343 mm)
Shipping Weight (lbs.)	101 (46 kg)

Figures in parentheses reflect metric equivalents rounded to the nearest whole unit.

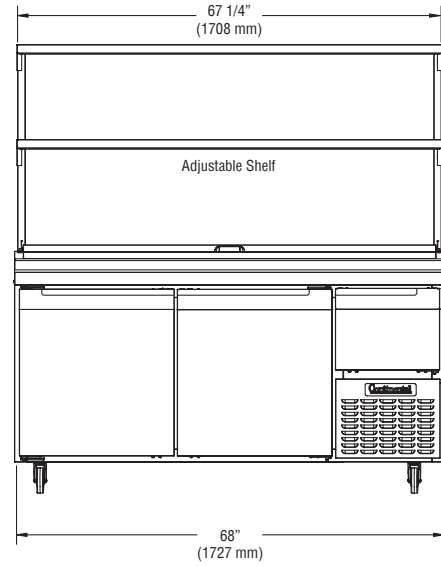
APPROVAL:



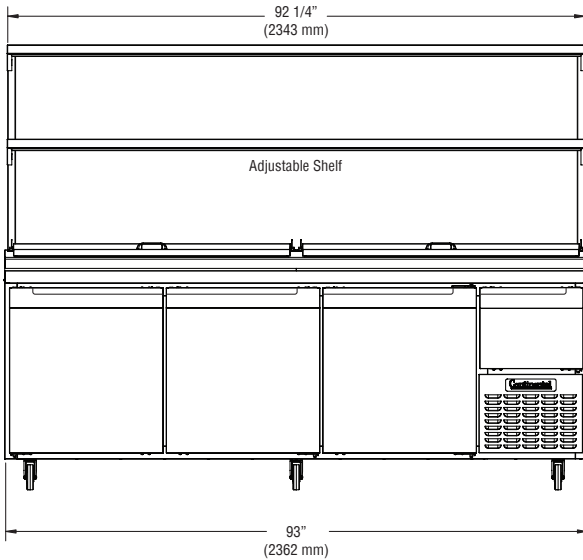
DOS43



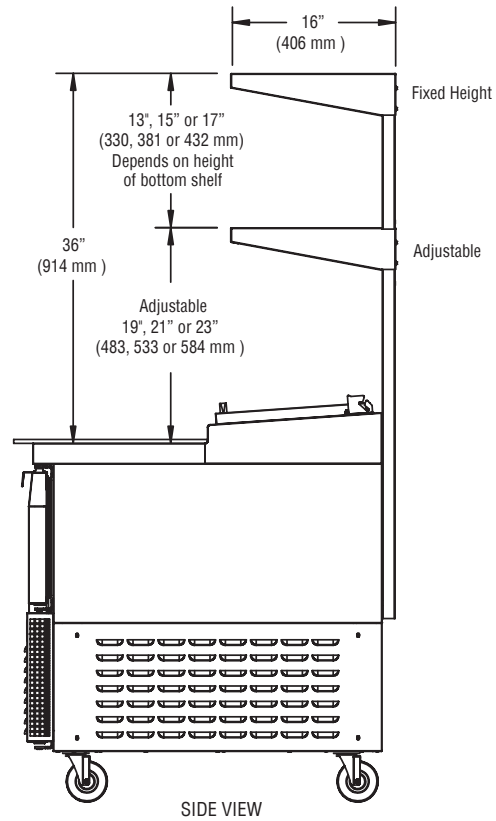
DOS60P



DOS68



DOS93



Continental
Refrigerator

Toll-Free: 800-523-7138
Phone: 215-244-1400
Fax: 215-244-9579

539 Dunkserry Road
Bensalem, PA 19020
www.continentalrefrigerator.com

Due to our continued efforts in developing innovative products, specifications subject to change without notice.



MADE IN THE U.S.A.

© Copyright 2015, Continental Refrigerator.
A Division of National Refrigeration & Air Conditioning Products, Inc.