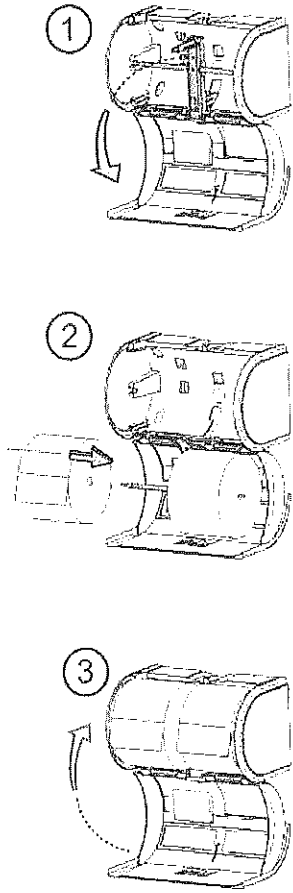
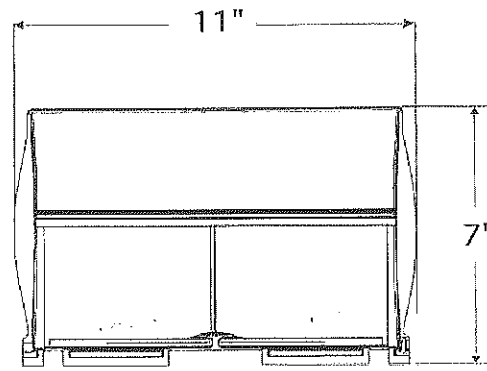


Compact® Side-by-Side 2-Roll Dispenser
specification and mounting sheet

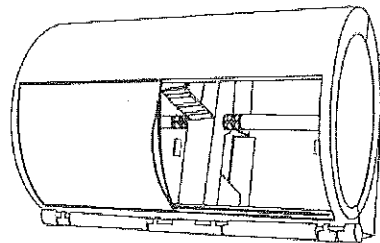
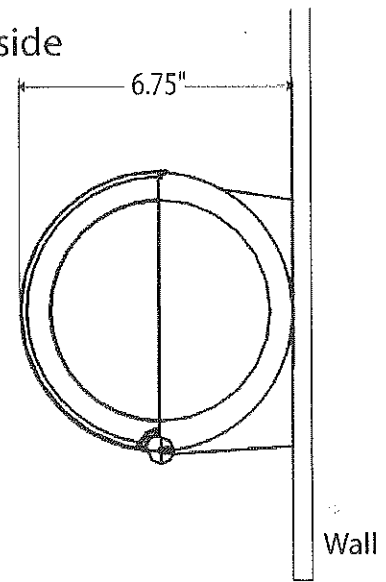
Loading Instructions



front

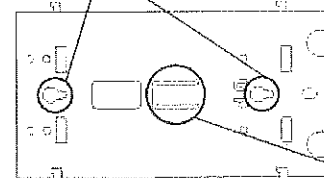


side



Dispenser Mounting
Using 54019 Mounting Bracket
(sold separately)

Screw Mounting
Holes



Dispenser
Release Tab

20.5" Minimum
Distance to
the Floor

Overall Dimensions:

Dispenser: 11" W x 7" H x 6.75" D

Overall Weight:

Dispenser: 1.6 lbs (0.7kg)

Capacity: 2 rolls of Compact®
Coreless Tissue.

For questions or comments, please call
1-866-HELLO GP (435-5647)